



COMMERCIAL CLASS

CARGO MANAGEMENT EQUIPMENT



FOR DEMANDING WORK ENVIRONMENTS

More Strength • More Options • More Reliable • More Secure



Table of Contents

BRUTE is a world class brand of commercial cargo management equipment manufactured exclusively for professional contractors . Many years of manufacturing and design experience accompany this brand. BRUTE is manufactured at our plant in Sturgis, Michigan by Unique Truck Accessories. We have a strong reputation for high quality consumer class aluminum tool boxes, commercial class cargo management equipment, and heavy truck class cargo control equipment.

The BRUTE series of cargo management equipment was developed for the professional who requires top notch and detailed quality to house their valuable job equipment. This brand was designed and built to withstand weather, security issues, and harsh use by professional contractors. We have integrated industrial latches, reinforced floors, hardware shields, and adjustable organizational apparatus. Our drawer units are among the first in the industry and the only drawers available in “topsiders” and “underbody” boxes.

Brute is not just another tool box company...It’s the leader in new ideas and production of CARGO MANAGEMENT EQUIPMENT FOR TRUCKS! It is our mission to build the equipment required by the ever changing commercial contractor market. If you have ideas for your fleets and are looking for the company to work with you to meet your true needs, CONTACT BRUTE!



Full Lid CrossOver	4-5
Gull Wing Lid CrossOver	6-7
LoSider Side Rail Box	8
Pork Chop / JobSite Box	9
TopSider Contractor w/ Full Door	10
TopSider Contractor w/ Drawer	11
Chest Box	12
Maximus Chest Box	13
Under Body w/ Drawer	14-15

Black Powder Coat Available—Add “B” to the end of the part number



COMMERCIAL CLASS

CARGO MANAGEMENT EQUIPMENT



Full Lid CrossOver



TopSider Contractor with Drawer



Gull Wing Lid CrossOver



Chest Box



TopSider Contractor with Full Door



LoSider Side Rail Box



Maximus Chest Box



Pork Chop



Under Body w/ Drawer



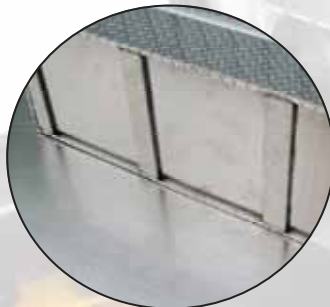
Job Site Box



Full Lid CrossOver



Push Button Rotary Latch



Reinforced Floor



HD Aluminum Adjustable Tray



Integrated Tool Holders

Full Metal Shield to Protect Rotary Latches & Linkage Rods



- Available in Several Dimensions
 - ⇒ Standard
 - ⇒ Deep
 - ⇒ Wide
 - ⇒ Deep & Wide
- Beveled Lid Design
- Full Rubber Weather Seal
- Diamond Tread Back
- Sturdy Hinge Point
- Strong Prop Mounting Points—Lid & Body
- Full Metal Shield for Props
- Strut Reinforced Lid



COMMERCIAL CLASS
CARGO MANAGEMENT EQUIPMENT

Full Lid CrossOver

MODEL	APPLICATION
RB117FL	Full Size—Xtra Wide
RB120FL	Full Size—Xtra Deep & Xtra Wide (w/slant)
RB123FL	Full Size—Xtra Deep
RB127FL	Full Size—Standard
RB137FL	Mid Size / Down Size—Long Bed Only
RB154FL	Full Size Step Side & Down Size (shallow depth)
RB155FL	Mid Size / Down Size LB & SB (wide & Shallow)

101 lbs 19.97 Cu. Ft.

MODEL RB117FL

105 lbs 25.52 Cu. Ft.

MODEL RB120FL

90 lbs 18.9 Cu. Ft.

MODEL RB123FL

84 lbs 14.79 Cu. Ft.

MODEL RB127FL

75 lbs 12.92 Cu. Ft.

MODEL RB137FL

65 lbs 9.03 Cu. Ft.

MODEL RB154FL

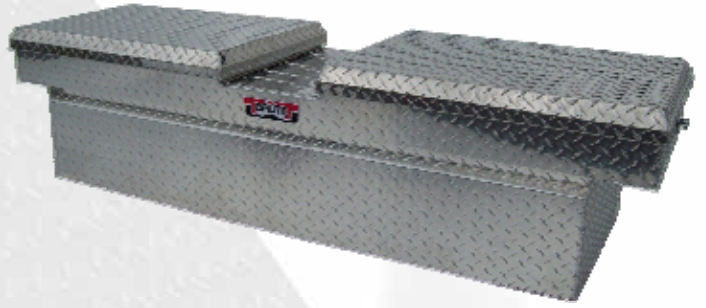
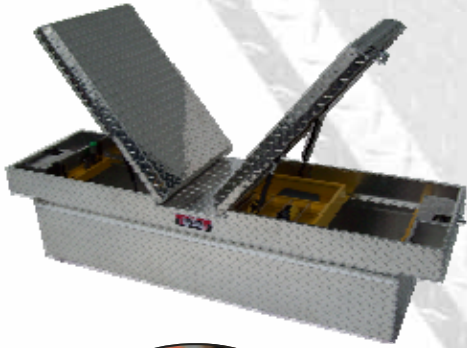
79 lbs 12.59 Cu. Ft.

MODEL RB155FL

Black Powder Coat Available—Add "B" to the end of the part number



Gull Wing CrossOver



Push Button Rotary Latch



Reinforced Floor



HD Aluminum Adjustable Tray



Integrated Tool Holders

- Available in Several Dimensions
 - ⇒ Standard
 - ⇒ Deep
 - ⇒ Wide
 - ⇒ Deep & Wide

- Beveled Lid Design
- Full Rubber Weather Seal
- Diamond Tread Back
- Sturdy Hinge Point
- Strong Prop Mounting Points—Lid & Body
- 2 Gas Props on Each Lid
- Strut Reinforced Lid



Full Metal Shield to Protect Rotary Latches

COMMERCIAL CLASS
CARGO MANAGEMENT EQUIPMENT



Black Powder Coat Available—Add "B" to the end of the part number

Gull Wing CrossOver

MODEL	APPLICATION
RB114GW	Full Size—Xtra Wide
RB124GW	Full Size—Standard
RB134GW	Mid Size / Down Size—Long Bed Only
RB153GW	Full Size Step Side & Down Size (shallow depth)
RB157GW	Full Size—Xtra Deep
RB158GW	Full Size—Xtra Deep & Xtra Wide (w/slant)
RB159GW	Mid Size / Down Size LB & SB (wide & Shallow)

90 lbs. 19.91 Cu. Ft.

MODEL RB114GW

75 lbs. 14.79 Cu. Ft.

MODEL RB124GW

70 lbs. 12.92 Cu. Ft.

MODEL RB134GW

60 lbs. 9.03 Cu. Ft.

MODEL RB153GW

85 lbs. 18.90 Cu. Ft.

MODEL RB157GW

100 lbs. 27.41 Cu. Ft.

MODEL RB158GW

80 lbs. 12.59 Cu. Ft.

MODEL RB159GW

Black Powder Coat Available—Add "B" to the end of the part number



LoSider—Side Rail Box

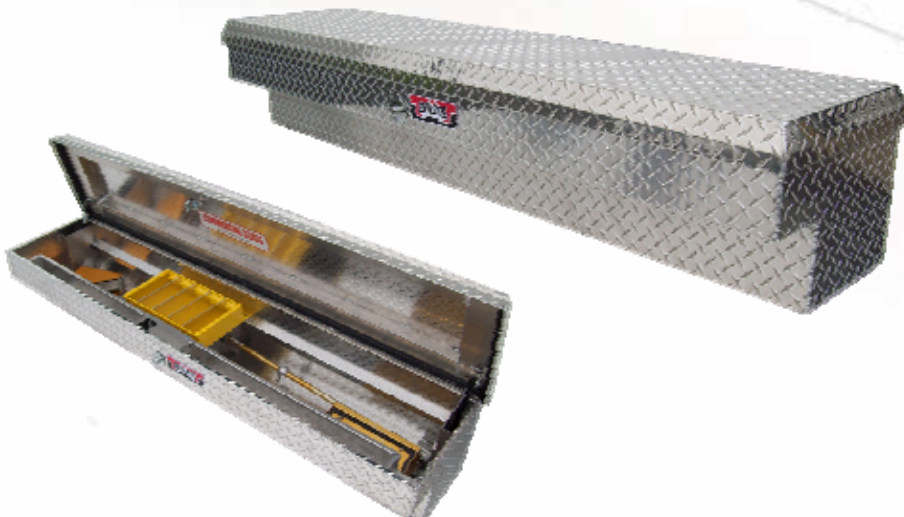


Push Button Rotary Latch



Deluxe Aluminum Adjustable Tray

- Beveled Lid Design
- Full Rubber Weather Seal
- Full Metal Shield Protecting Rotary Latch
- 2 Gas Props Fully Guarded
- Made with .063" Thick Aluminum Diamond Tread
- Additional Storage Built Into the Front
- Fully Reinforced Lid
- "J" Hook, No Drill Into Side Rail Installation



45 lbs 5.66 Cu. Ft.

MODEL RB184

52 lbs 6.74 Cu. Ft.

MODEL RB174

65 lbs 8.43 Cu. Ft.

MODEL RB172

72 lbs 10.47 Cu. Ft.

MODEL RB164

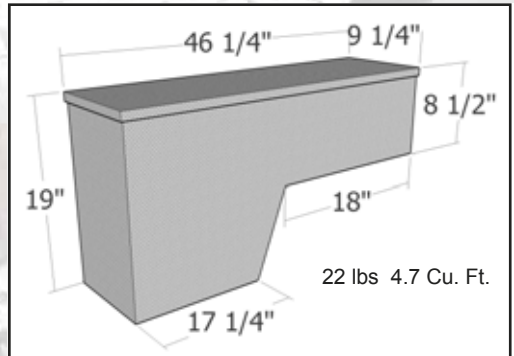
COMMERCIAL CLASS
CARGO MANAGEMENT EQUIPMENT



Pork Chop / JobSite



Push Button Rotary Latch

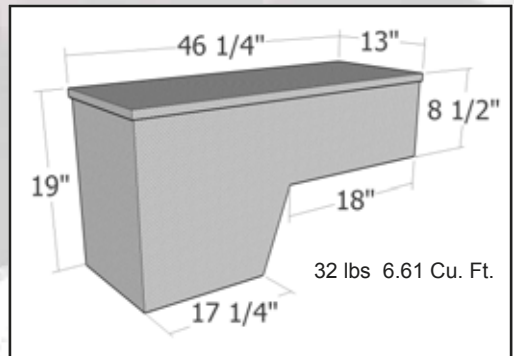


MODEL

DRIVER SIDE	RB160
PASSENGER SIDE	RB161

The Brute Pork Chop Box Features

- Over the Wheel Well Design
- Maximize Wasted Space
- Full Metal Guards on Hardware & Gas Prop
- Reinforced Beveled Lid Design
- Heavy Duty Construction
- Built in Organizer



MODEL

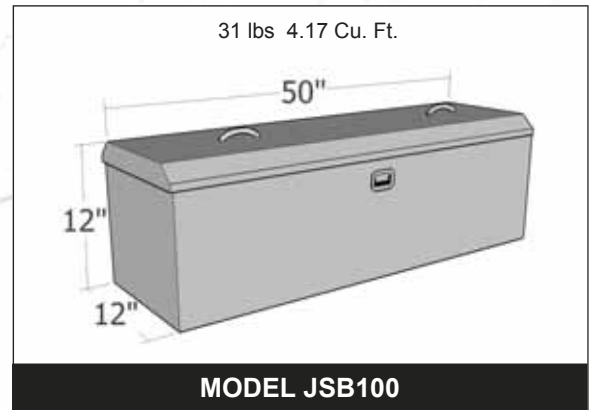
DRIVER SIDE	RB162
PASSENGER SIDE	RB163

* mounting hardware not included



The Brute JobSite Tool Box Features

- Reinforced Lid
- Beveled Lid Design—Reinforced
- 48" Level Holder
- Full Rubber Seal
- Gas Prop to Hold Lid
- Locking Paddle Handle
- Two Chrome Handles

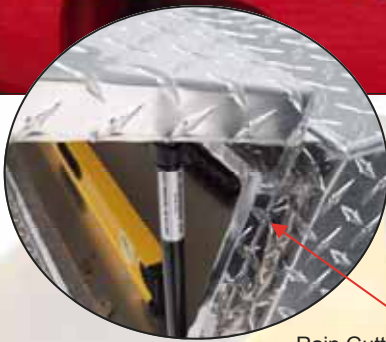


COMMERCIAL CLASS
CARGO MANAGEMENT EQUIPMENT

Black Powder Coat Available—Add "B" to the end of the part number



Folding / Locking
T Handle



Rain Gutter



Drawers w/
Adjustable Organizers



- Available in Several Lengths
- Bottom Drawers with Organizers
- Made of .063" Thick Aluminum Diamond Tread
- Secure
- Weather Resistant Rain Gutter Design
- Full Rubber Seal

COMMERCIAL CLASS
CARGO MANAGEMENT EQUIPMENT

Black Powder Coat Available—Add "B" to the end of the part number

**Contractor TopSider
W/ Drawer**

45 lbs. 7.88 Cu. Ft.

MODEL TBS200-48-BD

58 lbs. 11.81 Cu. Ft.

MODEL TBS200-72-BD

68 lbs. 14.44 Cu. Ft.

MODEL TBS200-88D-BD

73 lbs. 14.77 Cu. Ft.

MODEL TBS200-90D-BD

83 lbs. 15.75 Cu. Ft.

MODEL TBS200-96D-BD

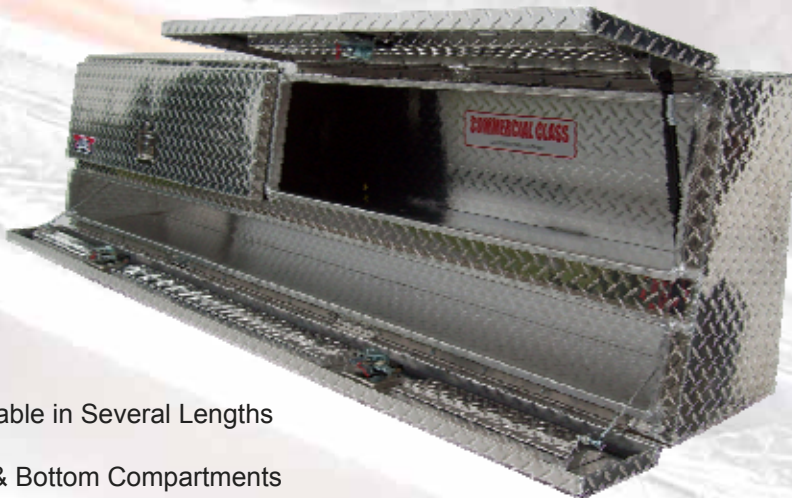


**Contractor TopSider
Full Door**



Rain Gutter

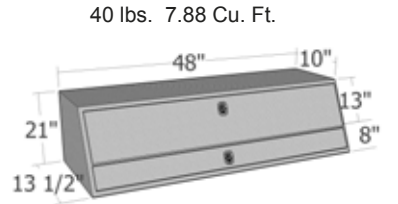
COMMERCIAL CLASS
CARGO MANAGEMENT EQUIPMENT



- Available in Several Lengths
- Top & Bottom Compartments
- Two Tiers of Storage
- Made of .063" Thick Aluminum Diamond Tread
- Secure Folding/Locking T Handles
- Weather Resistant Rain Gutter Design
- Full Rubber Seal

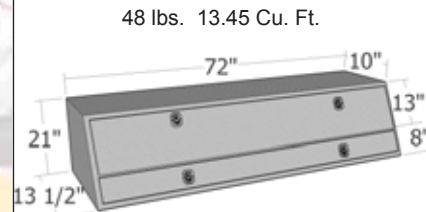


Folding / Locking
T Handle



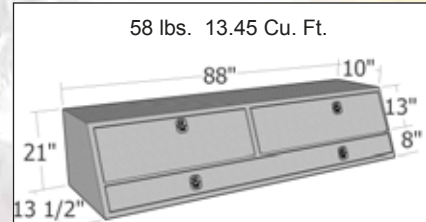
MODEL TBS200-48

40 lbs. 7.88 Cu. Ft.



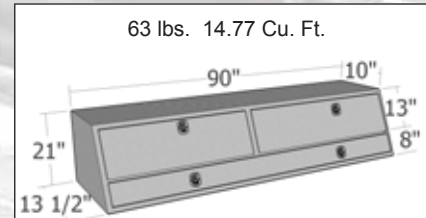
MODEL TBS200-72

48 lbs. 13.45 Cu. Ft.



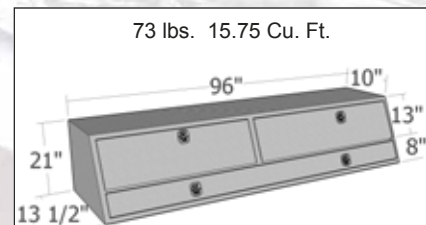
MODEL TBS200-88D

58 lbs. 13.45 Cu. Ft.



MODEL TBS200-90D

63 lbs. 14.77 Cu. Ft.



MODEL TBS200-96D

73 lbs. 15.75 Cu. Ft.

Black Powder Coat Available—Add "B" to the end of the part number

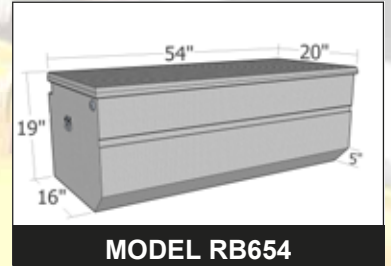


Chest Box

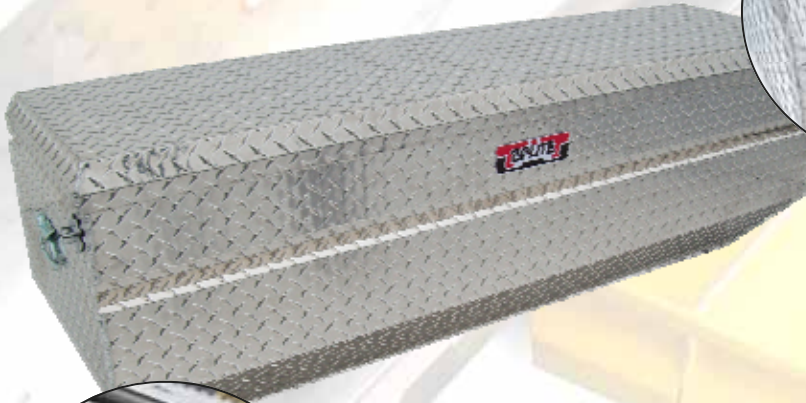
Push Button
Rotary Latch



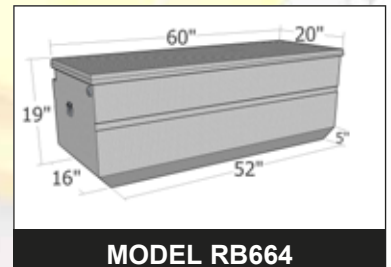
55 lbs. 11.88 Cu. Ft.



MODEL RB654



60 lbs. 13.19 Cu. Ft.



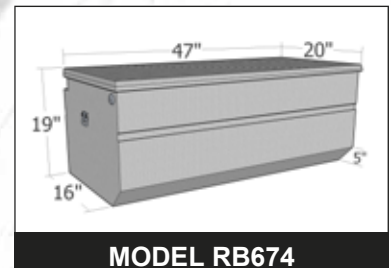
MODEL RB664



HD Aluminum
Adjustable Tray

- Offset on rear allows 90° Lid Opening
- Full Rubber Seals
- Below Side Rails, Perfect for 5th Wheel Trailers
- Full Metal Guards on Gas Props & Hardware.
- Beveled Reinforced Lid

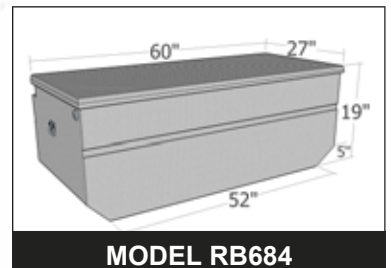
46 lbs. 10.34 Cu. Ft.



MODEL RB674



74 lbs. 17.81 Cu. Ft.



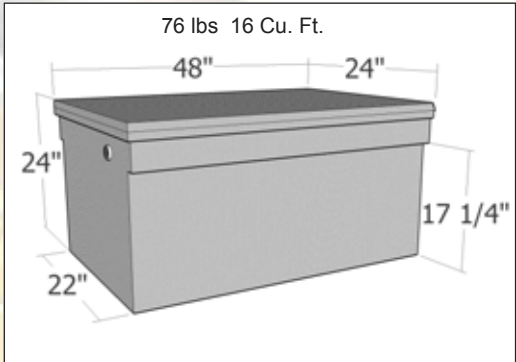
MODEL RB684

Black Powder Coat Available—Add "B" to the end of the part number

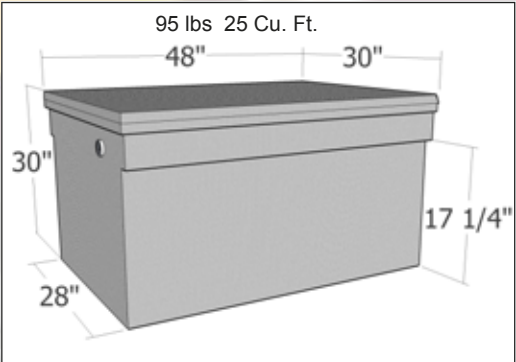
COMMERCIAL CLASS
CARGO MANAGEMENT EQUIPMENT



Maximus Chest Box



MODEL RB624



MODEL RB630

Black Powder Coat Available—Add "B" to the end of the part number

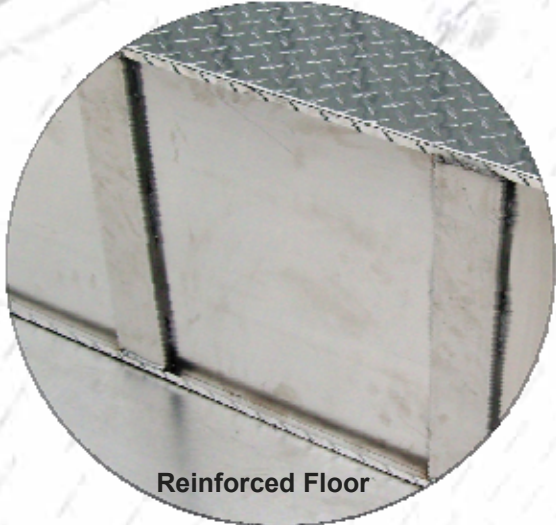


Push Button Rotary Latches



HD Adjustable Organizational Tray

- Reinforced Floor
- Reinforced Lid
- Push Button Rotary Latch
- Gas Prop & Hardware Shields
- Full Rubber Weather Seal
- Adjustable Organizational Tray
- Hand Tool Holders
- HD Chrome Handles



Reinforced Floor



Shielded Hardware

COMMERCIAL CLASS CARGO MANAGEMENT EQUIPMENT



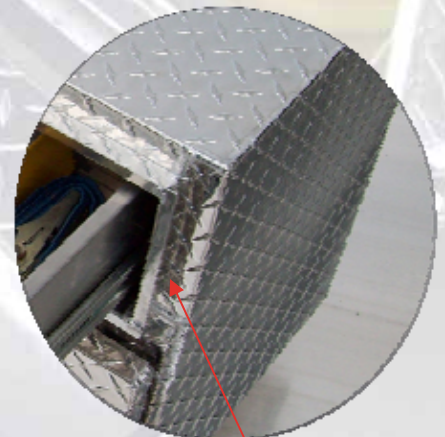
**Under Body
w/ Top Drawer**

- Top Drawer with Locking / Folding T Handle
- The Drawer Contains Adjustable Dividers
- Reinforced Bottom Door with Support Cables
- The Bottom has a Compartment for Larger / Heavier Cargo
- Each Drawer has (2) Ball Bearing Slides—100 Lbs. Rating
- Full Rubber Weather Seal
- Large Rain Gutter Design to Channel Water Away From Valuable Cargo

Black Powder Coat Available—Add "B" to the end of the part number



Folding / Locking
T Handle

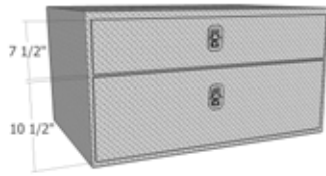


Rain Gutter

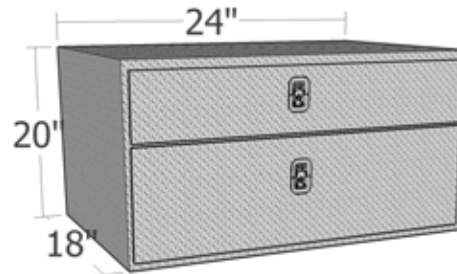
COMMERCIAL CLASS
CARGO MANAGEMENT EQUIPMENT

**Under Body
w/ Top Drawer**

Basic Door / Drawer Dimensions for All Units

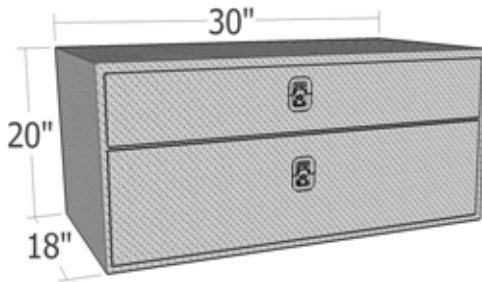


- Drawer / Door Height—Shown Above
- Drawer Depth—15" Stroke
- Drawer Width—4" narrower than Box Width



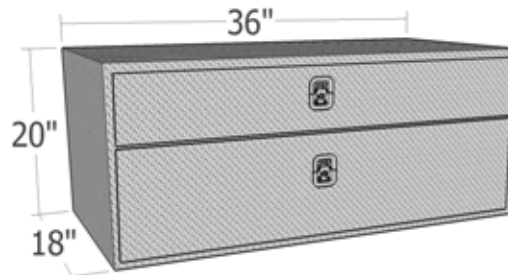
MODEL UB24-20TD

35 lbs 6.25 Cu. Ft.



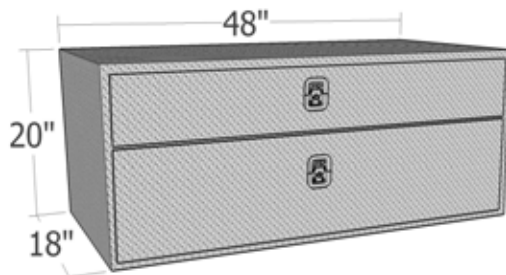
MODEL UB30-20TD

38 lbs 7.5 Cu. Ft.



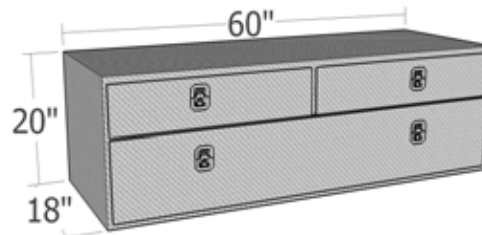
MODEL UB36-20TD

45 lbs 10 Cu. Ft.



MODEL UB48-20TD

67 lbs 12.5 Cu. Ft.



MODEL UB60-20TD



1000 N. Clay Street Sturgis, MI 49091
800•239•2343

www.uniquetruckaccessories.com

Limited Lifetime Warranty Statement: Unique Truck Accessories warrants tool box workmanship for the lifetime of the product, providing the customer, at his expense, returns the product back to Unique for workmanship repairs. After repairs, Unique will return the product, at customer expense. Powder coated products, Unique warrants the powder coating of any product for a limited time of 6 months from date of purchase, proof of purchase required. Warranty on all other products is to be free of defects in materials for a period of one year from the original purchase from Unique. This warranty covers the cost of the defective part and does not cover the cost of removal, installation or other incidental or consequential charges or damages. This warranty is void if any damage to the product is due to misuse, abuse, neglect, accident or improper installation or any other use contrary to the instructions with the product. Warranty will be prorated based on the length of time. Warranty products should be returned to Unique at the expense of the sender and a credit will be issued for the product and freight expense upon inspection of the product. Any product found to be non-defective will not receive credit and will be returned to the sender at their expense.



Distributed By

2010—09-09

