

masterack®

A Leggett & Platt Commercial Vehicle Products Company



masterack® IS THE FIRST CHOICE FOR COMMERCIAL VEHICLE PRODUCTS.



QUALITY is our commitment. Masterack® has over 75 years combined experience in the design and manufacture of high-quality, professional grade equipment for automakers and commercial fleets. You can specify the same durable equipment for your service vehicle.

DEPENDABILITY that's proven day and night, through many years of rugged service. When the tough jobs need to be done, more major commercial fleets depend on Masterack® than any other equipment.

VERSATILITY afforded by the same high quality equipment as installed at the factory. Two complete systems are offered, solid steel and tough welded wire, plus a full line of accessories for every job.

VALUE unequalled. Masterack® equipment is economical because we manufacture systems for thousands of users, and we stock our parts so that you can get yours quickly.



Masterack® products are warranted to be free from defects in materials and workmanship, under normal use and service for a period of one year from date of purchase. Factory installations, and products installed in new vehicles by an authorized Masterack® installer are warranted for 3 years or 36,000 miles, whichever comes first.

For innovative, quality products and complete installations combined with custom-design services and in stock pre-planned interior systems, Masterack® is the first choice for commercial vehicle products.

FACTORY CASH ASSISTANCE IS AVAILABLE ON UPFITS OF NEW COMMERCIAL VANS.



Ford Commercial Connection Program
Receive a \$1200 upfit reimbursement.



GM Commercial Choice "Option B"
Receive a \$1000 upfit reimbursement.

Available to qualified commercial users. Some restrictions may apply. Contact your dealer for program details before taking delivery of a new Ford or GM van. All Masterack® upfits qualify for cash reimbursements.

FOR MORE INFORMATION CALL 800 / 222.8785

Cargo Protection Packages

Ford logo and blue oval are registered trademarks of Ford Motor Company. GM logo is a registered trademark of General Motors Corporation.



CONTENTS

PLANNING THE PERFECT SERVICE VAN IS AS EASY AS 1-2-3.

- 1 Order complete van packages designed specifically to fit your van and your trade. It's easy and convenient.
- 2 Or, design your own package to fit specific needs. Choose partitions, shelving, storage modules, and cabinets. Use the layout guide to help plan.
- 3 Add accessories to complete the packages. Get ready for the job with a ladder rack, hooks, bins, and drawers. The choices are unlimited.

masterack®

905 Memorial Dr. S.E. Atlanta, GA 30316
P.O. BOX 100055 Atlanta, GA 30348

800.222.8785 / 404.525.5501
FAX 404.659.9316



Commercial Van Interiors

LADDER RACKS FOR VANS

Ladder Racks for Vans	
Masterack® Locking Ladder Rack	04
Ladder Rack Accessories	05
Slide-Down™ Ladder Rack	06
Heavy Duty Utility Carrier	07
PowerRack™	08

COMMERCIAL VAN PACKAGES

General Contractors Van Interiors	10
Basic Shelving / General Service	12
Plumbing & HVAC Contractors	13
Telecom, Cable & Utility Construction	14
Electrical Contractor / Appliance Repair	15
Sprinter Van Interior Packages	16
QuietFlex™ Shelving System	18
Contour Storage System™	20
Walk-In Vans	36

CAB PARTITIONS AND ACCESSORIES

Steel Partitions for Full Size Vans	22
Steel Partitions for Sprinter	23
Steel Partitions for Minivans	23
Composite Partition for Full Size Vans	23
Partition Accessories	24
Cab Organizer™	25

SOLID STEEL SHELVING MODULES

Storage Modules for Full Size and Minivans	26
Storage Modules for Sprinter and Walk-In Vans	28
Solid Steel Shelving Modules	30
Accessories for Steel Shelving	31
Parts Drawers & Storage Cabinets	32

SERVICE VAN ACCESSORIES

Freon & Nitrogen Tank Carriers	33
Wire and Cable Management	33
Interior & Exterior Accessories	33
Window Screens	34
Cargo Mats	34
Heavy Duty Floor Drawers	34
Backup Alarms and Sensors	35
Power Inverters	35

ADJUSTABLE WIRE SYSTEMS

Interior Packages for Full Size Vans and Sprinter	38
Wire Shelving Modules	40
Accessories for Wire Shelving	40
Wire Storage Modules and Drawers	41

CARGO PROTECTION PACKAGES

	42
--	----

PICK-UP TRUCK EQUIPMENT

WorkRack™ Pickup Ladder Rack	44
Ladder Racks & Utility Carriers for Work Tops	44
VersaRack™ Pickup Rack	44
Commercial Interior Packages	46

VEHICLE LAYOUT GUIDE

	48
--	----

INDEX

	50
--	----



The Masterack® Ladder Rack is unequalled for ease of use and dependability.

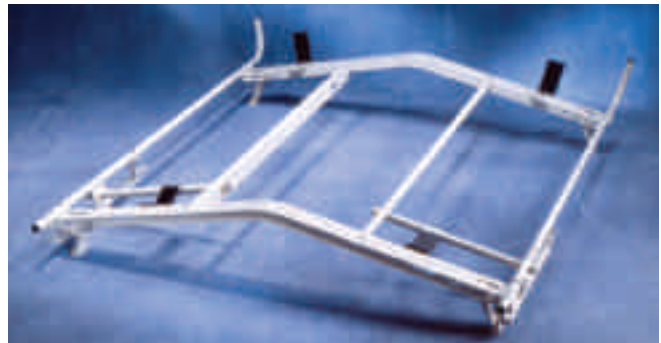
- › Easy-to-use patented clamping action secures ladders in place.
- › Ladders are easily loaded and unloaded from the side of the vehicle for safe, efficient operation.
- › Both zinc plated and powder coated for the maximum in outdoor protection.
- › With only one moving part, this ladder rack is designed to be maintenance free for a lifetime.
- › Full size van racks clamp to drip rails for easy installation. Minivan racks include roof mounted bolt-through feet and reinforcement plates; some drilling is required.
- › Adjustable to fit different ladders.



SINGLE LADDER RACK

As shown includes:

- 021066** Crossbow Full Size Vans
- 020245** Ladder Rack for Extension Ladders



DOUBLE LADDER RACK

As shown includes:

- 021066** Crossbow Full Size Vans
- 020245** Ladder Rack for Extension Ladders
- 021226** Ladder Rack for Step & Combination Ladders



Lockable for security. Simply lock the handle with a standard padlock to protect the ladder from theft.



Vinyl Coated clamps resist abrasion. The convenient operating handle securely locks ladders in place.



Extended Front Stop is fully adjustable to accommodate step and combination ladders. Included in **021226** Ladder Rack.

LADDER RACK ACCESSORIES



Ladder Rack Extension provides additional 24" of support when carrying longer ladders. Easily bolts to front crossbar.



Strobe Light and Mounting Base attach to crossbar peak, raising light for visibility. Amber 12V strobe light easily mounts to universal mounting base.



Strobe Wiring Kit makes accessory lighting installation easy. Complete with lighted dash switch, wire, loom, fuse, and installation instructions.



Crossbow Tie Down Kit includes vinyl coated front stop, two side stops, and nylon tie-down straps.

LADDER RACK MOUNTED CONDUIT CARRIER KIT



4" Dia. and 6" Dia. PVC Carrier Kits feature steel end caps with easy opening hinged door. Mounting straps attach carrier to ladder rack. Use Schedule 40 PVC (not included).

LADDER RACK ORDERING GUIDE

DESCRIPTION	FULL SIZE			MID SIZE	MINI VANS
	FORD	GM		FORD	DODGE
	E-SERIES	EXPRESS	SAVANA	TRANSIT CONNECT	CARAVAN
CROSSBOW KIT	021066	021066	021066	022413	02B296
LADDER RACK FOR EXTENSION LADDERS	020245	020245	020245	020796	020796
LADDER RACK FOR STEP LADDERS & COMBINATION LADDERS	021226	021226	021226	021228	021228
LADDER RACK ACCESSORIES					
LADDER RACK EXTENSION	020940	020940	020940	020940	020940
CROSSBOW TIE DOWN KIT	025633	025633	025633	025633	025633
CONDUIT CARRIER KIT					
4" DIAMETER	021452	021452	021452	021452	021452
6" DIAMETER	021453	021453	021453	021453	021453
STROBE LIGHT	025085	025085	025085	025085	025085
STROBE LIGHT MOUNT BASE	024223	024223	024223	024223	024223
STROBE LIGHT WIRING KIT	022359	022359	022359	022359	022359
LADDER PROTECTION KIT	022445	022445	022445	022445	022445

SLIDE - DOWN™ LADDER RACK



Slide-Down™ Ladder Rack easily lowers ladders "within arms reach™"

- › Easy-to-use actuator handle pivots the ladder to the side of the van for safe, efficient operation.
- › Zinc plated and powder coated for maximum outdoor protection.
- › All ladder contact areas are protected with vinyl covered stops and anti-skid strips.
- › Includes padlock feature for security.
- › Adjustable to fit different extension ladders.



Slide-Down™ Ladder Rack

As shown includes:

- 026198 Single Slide-Down™ Ladder Rack
- 020245 Ladder Rack for Extension Ladders



Hydraulic Assist

gently lowers the ladder for additional ease-of-use. Added safety and less wear.

SLIDE-DOWN™ ORDERING GUIDE

DESCRIPTION	FULL SIZE			MID SIZE
	FORD	GM		FORD
	E-SERIES	EXPRESS	SAVANA	TRANSIT CONNECT
SINGLE SLIDE-DOWN	026198	026199	026199	02B940
DOUBLE SLIDE-DOWN	027965	027966	027966	02B965
SLIDE DOWN ACCESSORIES				
STREETSIDE UPGRADE FOR EXTENSION LADDERS	020245	020245	020245	020796
CROSSBOW TIE DOWN KIT	025633	025633	025633	025633

UTILITY CARRIERS

Heavy Duty Utility Carriers are the economical choice for a variety of uses.

- › Ladders, pipe or most any cargo can be carried securely.
- › Heavy gauge steel construction, zinc plated and powder coated for maximum weather protection.
- › Utility carriers consist of two crossbows with tall outer stops.
- › Full size van racks clamp to drip rails for easy installation. Minivan racks include roof mounted bolt through feet and reinforcement plates; some drilling is required.



022553 Utility Carrier



Utility Tie Down Kit includes front stop and straps to secure ladders.

UTILITY CARRIER ORDERING GUIDE

DESCRIPTION	FULL SIZE			MID SIZE	MINI VANS
	FORD	GM		FORD	DODGE
	E-SERIES	EXPRESS	SAVANA	TRANSIT CONNECT	CARAVAN
UTILITY CARRIER	022553	022553	022553	020232	027492
UTILITY CARRIER ACCESSORIES					
UTILITY TIE DOWN KIT	020229	020229	020229	020229	020229
CONDUIT CARRIER KIT					
4" DIAMETER	021452	021452	021452	021452	021452
6" DIAMETER	021453	021453	021453	021453	021453
STROBE LIGHT	025085	025085	025085	025085	025085
STROBE LIGHT MOUNT BASE	025424	025424	025424	025424	025424
STROBE LIGHT WIRING KIT	022359	022359	022359	022359	022359

POWER RACK™ LADDER RACK

Exclusive PowerRack™ technology lowers ladders at the touch of a button

- Most advanced ladder rack available; no handles, no reaching.
- Electric motor lowers ladder to ergonomically correct walk-off position.
- Ideal for today's higher vehicles.
- For use with extension ladders.
- Complete installation instructions and hardware included.



PowerRack™

One Touch lowers or raises the ladder. Operator controls the movement of the rack by using an easy to reach switch inside the rear of the van. For safety, motion stops when the switch is released.



Let PowerRack™ do the lifting. A single, smooth motion lowers and raises the ladder. Proven durability and dependability through thousands of cycles in all climate conditions. Uses reliable, automotive grade motor. Aluminum extrusions are maintenance free; all other components are zinc plated and powder coated for maximum outdoor protection. For security, the ladder cannot be removed in the stored position on top of the van.

POWER RACK™ OPTIONS

- **Conduit Carrier Kit** includes steel end caps with hinged opening door and brackets to mount carrier to PowerRack™. Requires 4" dia. Schedule 40 PVC pipe (not included).
- **Strobe Light and Mounting Base** attach to the crossbow, raising the light for visibility, 12V strobe light mounts to universal base.



PowerRack™ can be configured to utilize a Masterack® locking ladder rack for lightweight stepladders and combination ladders.

As shown includes:

026943 Single PowerRack™

026025 Ladder Rack for Step/Combination ladders



Single PowerRack™



Double PowerRack™

POWER RACK™ ORDERING GUIDE

DESCRIPTION	FORD			GM		SPRINTER	
	E-SERIES	EXPRESS	SAVANA	STD ROOF	HIGH ROOF	STD ROOF	HIGH ROOF
SINGLE POWER RACK	026943	026928	026928	02A393	02A393		
DOUBLE POWER RACK	027493	027494	027494	02A394	02A394		
STEP/COMBINATION LADDER ADD-ON	026025	026025	026025	—	—		
POWER RACK ACCESSORIES							
CONDUIT CARRIER KIT 4" DIA.	026026	026026	026026	026026	026026		
STROBE LIGHT	025085	025085	025085	025085	025085		
STROBE MOUNT BASE	026027	026027	026027	026027	026027		
STROBE LIGHT WIRING KIT	022359	022359	022359	022359	022359		

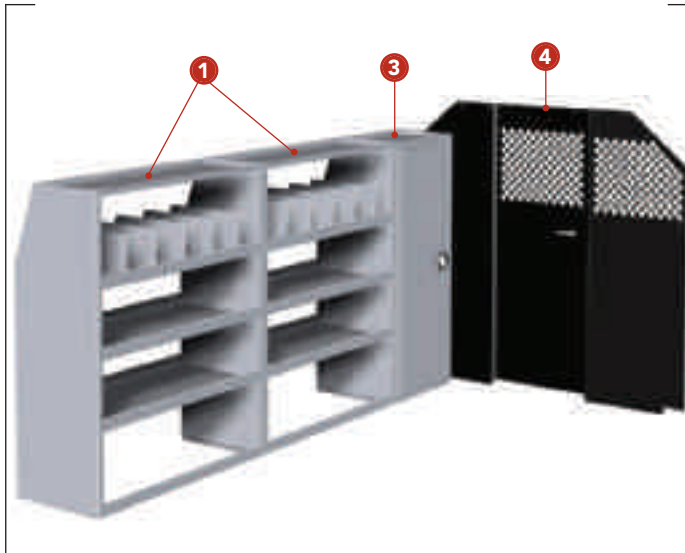
COMMERCIAL VAN INTERIOR PACKAGES

GENERAL CONTRACTORS

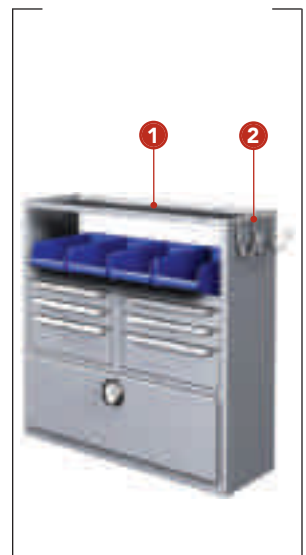
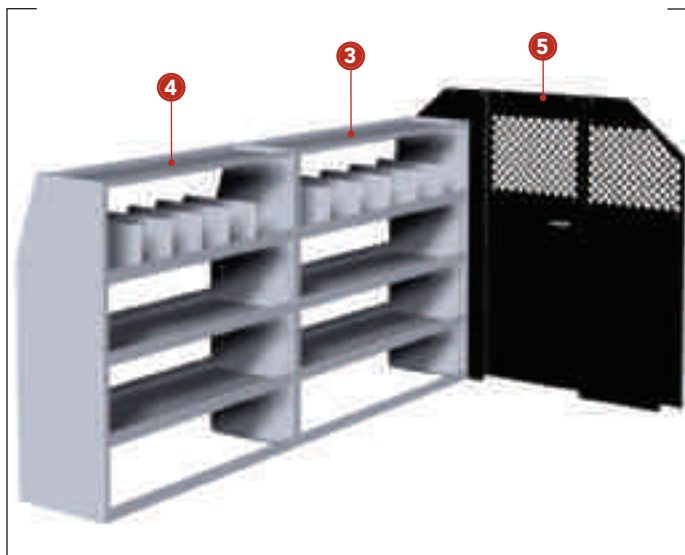
Plenty of storage with cabinets and drawers make these packages standard tools of the trade. Dependable and versatile for any task.



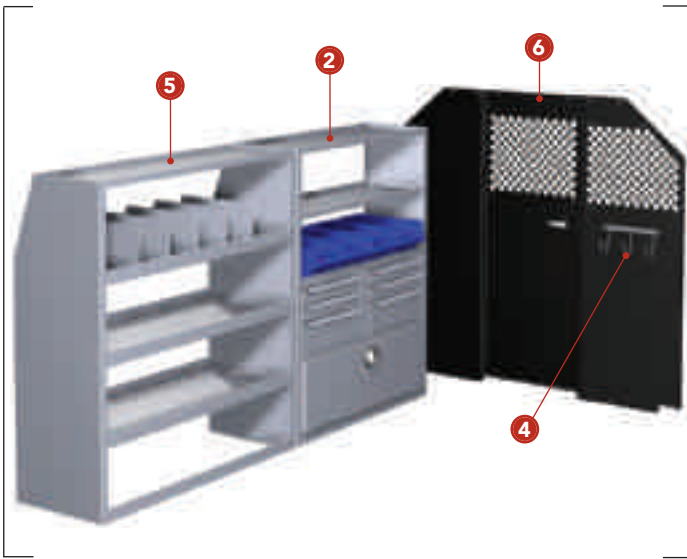
America's Best Selling Van Package				
➤ Full Size Vans				
PACKAGE #025838				
Item #	Description	Qty.	Page	
1	025839 Utility Shelving w/Dividers-Dual 46"H x 74"W x 16"D	1	26	
2	025840 Parts Drawer/Bin w/Manual Rack 36"H x 43"W x 12"D	1	26	
3	025841 Storage Cabinet 46"H x 18.5"W x 12"D	1	28	
4	027088 Partition w/Door SL-HM-PR	1	23	
5	Note Partition Attachment Panels* Must Specify Vehicle Make	1	23	



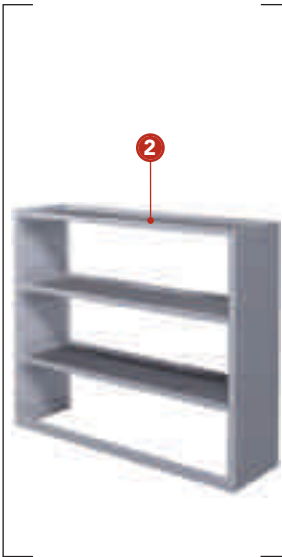
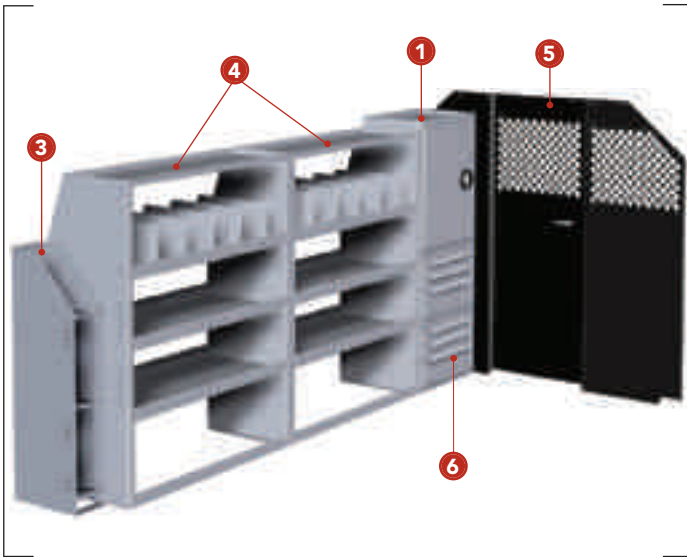
General Contractors Package				
➤ Full Size Vans				
PACKAGE #027751				
Item #	Description	Qty.	Page	
1	020060 Parts Drawer/Tote Bins 36"H x 37"W x 12"D	1	26	
2	025527 Triple Hook Assembly	1	31	
3	025783 Utility Shelving w/Dividers 46"H x 51"W x 16"D	1	26	
4	026802 Utility Shelving w/Dividers 46"H x 43"W x 16"D	1	26	
5	027088 Partition w/Door SL-HM-PR	1	23	
6	Note Partition Attachment Panels* Must Specify Vehicle Make	1	23	



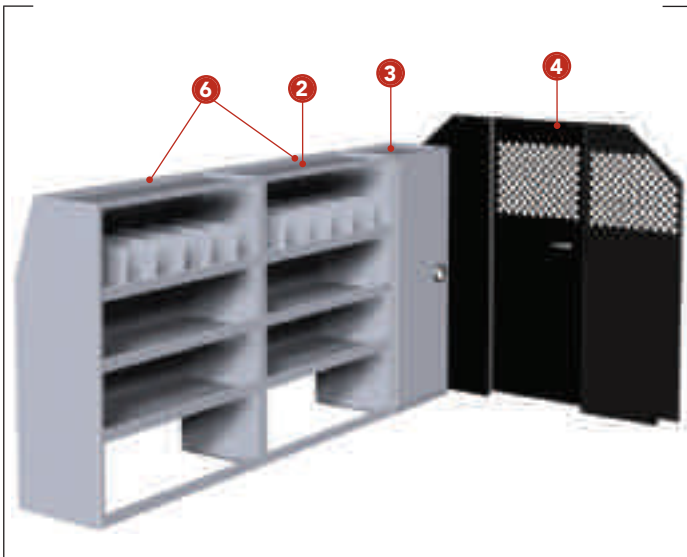
*Not Shown



Construction / Maintenance Package			
➤ Full Size Vans			
PACKAGE #022661			
Item #	Description	Qty.	Page
1	021392 Cabinet Storage 24"H x 18.5"W x 12"D	1	32
2	022691 Parts Drawer/Tote Bins 46"H x 37"W x 12"D	1	26
3	022700 Parts Tray/Parts Drawer 28"H x 37"W x 12"D	1	27
4	025527 Triple Hook Assembly	2	31
5	026802 Utility Shelving w/Dividers 46"H x 43"W x 16"D	1	26
6	027088 Partition w/Door SL-HM-PR	1	23
7	Note Partition Attachment Panels* Must Specify Vehicle Make	1	23



Maintenance & Repair Services Package			
➤ Full Size Vans			
PACKAGE #022662			
Item #	Description	Qty.	Page
1	021392 Cabinet Storage 24"H x 18.5"W x 12"D	1	32
2	022831 Shelf Module, Solid End 36"H x 43"W x 12"D	1	30
3	025522 Manual Rack 36"H x 6"W x 12"D	1	33
4	025839 Utility Shelving w/Dividers-Dual 46"H x 74"W x 16"D	1	26
5	027088 Partition w/Door SL-HM-PR	1	23
6	027259 Three Drawer Parts Drawer 12"H x 18.5"W x 12"D	2	33
7	Note Partition Attachment Panels* Must Specify Vehicle Make	1	23



E-Series Racks & Bins			
➤ Ford E-Series			
PACKAGE #027260F			
Item #	Description	Qty.	Page
1	025785 Parts Drawer/Bin Module 36"H x 37"W x 12"D	1	26
2	025839 Utility Shelving w/Dividers-Dual 46"H x 74"W x 16"D	1	26
3	025841 Storage Cabinet 46"H x 18.5"W x 12"D	1	28
4	027088 Partition w/Door SL-HM-PR	1	23
5	027116 Partition Attachment Panels	1	23
6	027176 Shelf Back 36"H x 37"W	2	31

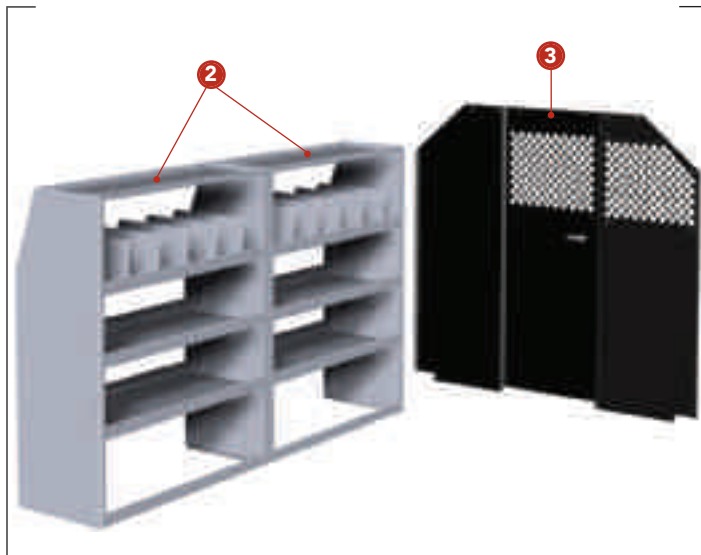
COMMERCIAL VAN INTERIOR PACKAGES

BASIC SHELVING & GENERAL SERVICE

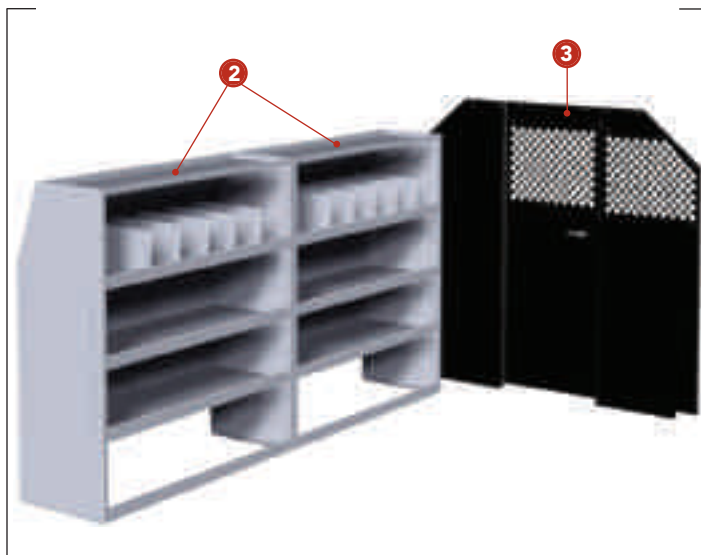
Maximum storage shelving at exceptional value. All the basics with unequalled dependability and value.



Basic Shelving Package				
> Full Size Vans				
PACKAGE #027360				
Item #	Description	Qty.	Page	
1	022832 Shelf, Solid End 36" H x 37" W x 12" D	1	30	
2	025839 Utility Shelving w/Dividers-Dual 46" H x 74" W x 16" D	1	26	
3	027088 Partition w/Door SL-HM-PR	1	23	
4	Note Partition Attachment Panels* Must Specify Vehicle Make	1	23	



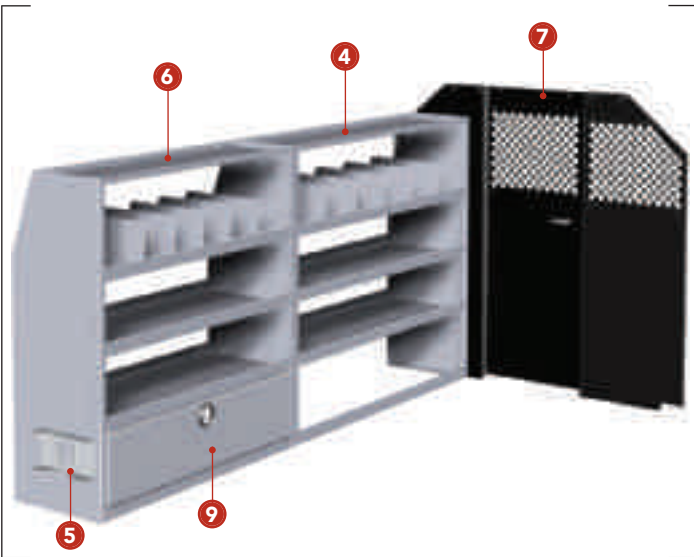
Commercial Service Package				
> Full Size Vans				
PACKAGE #027261				
Item #	Description	Qty.	Page	
1	025527 Triple Hook Assembly	1	31	
2	026802 Utility Shelving w/Dividers 46" H x 43" W x 16" D	2	26	
3	027088 Partition w/Door SL-HM-PR	1	23	
4	027278 Utility Shelf/PartsDrawer 46" H x 37" W x 12" D	1	27	
5	Note Partition Attachment Panels* Must Specify Vehicle Make	1	23	



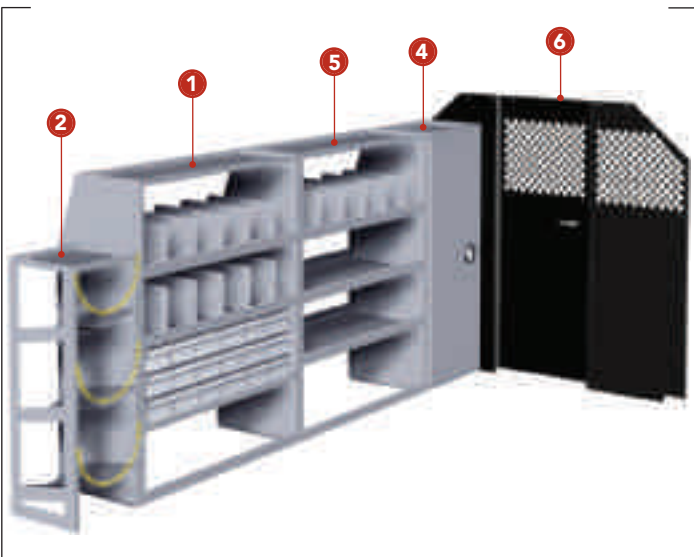
*Not Shown

PLUMBING & HVAC CONTRACTORS

Visually organize equipment and parts boxes for efficient work space. Adjustable shelving and dividers are easily set up for any need. Plenty of drawers for fittings and hand tools to make a workshop on wheels.



Plumbing / HVAC / Contractors Package			
> Full Size Vans			
PACKAGE #026806			
Item #	Description	Qty.	Page
1	025162 Visc Mount	1	33
2	025522 Manual Rack 36"H x 6"W x 12"D	1	33
3	025527 Triple Hook Assembly	1	31
4	025783 Utility Shelving w/Dividers 46"H x 51"W x 16"D	1	26
5	026741 Single Tank Holder	1	24
6	026803 Utility Shelving w/Dividers 46"H x 37"W x 16"D	1	26
7	027088 Partition w/Door SL-HM-PR	1	23
8	027449 Utility Shelf/Parts Drawers 46"H x 37"W x 12"D	1	27
9	027497 Lockable Storage Door 12"H x 37"W	1	31
10	Note Partition Attachment Panels* Must Specify Vehicle Make	1	23



Plumbing / HVAC / Contractors Package			
> Full Size Vans			
PACKAGE #022660			
Item #	Description	Qty.	Page
1	022684 Parts Cabinet w/Dividers 46"H x 37"W x 16"D	1	26
2	025545 Freon Tank Rack, 3-30# 36"H x 13"W x 12"D	1	33
3	025840 Parts Drawer/Bin w/Manual Rack 36"H x 43"W x 12"D	1	26
4	025841 Storage Cabinet 46"H x 18.5"W x 12"D	1	28
5	026803 Utility Shelving w/Dividers 46"H x 37"W x 16"D	1	26
6	027088 Partition w/Door SL-HM-PR	1	23
7	Note Partition Attachment Panels* Must Specify Vehicle Make	1	23

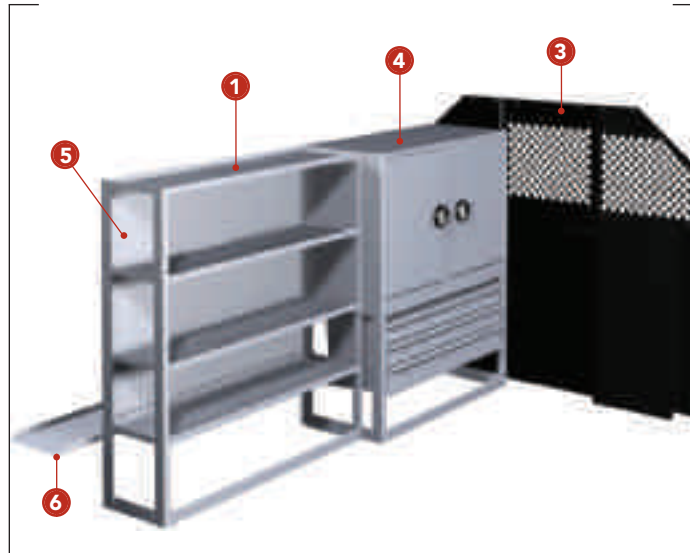
*Not Shown

TELECOM, CABLE & UTILITY CONSTRUCTION

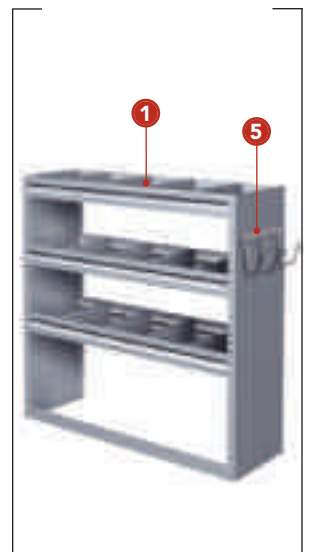
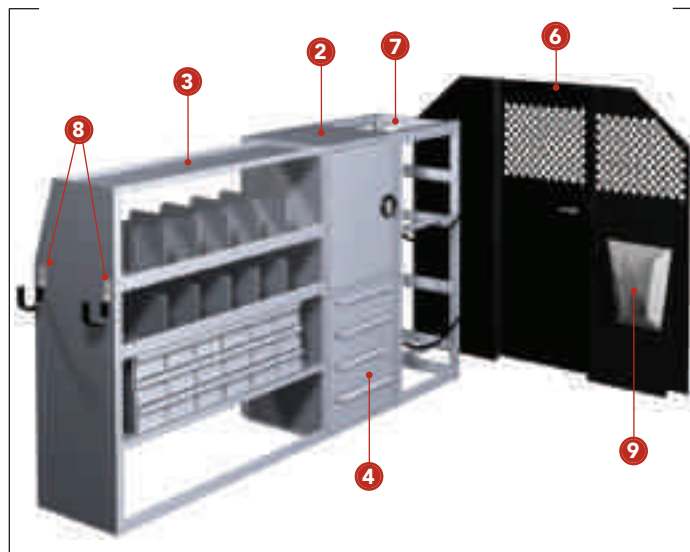
Packed with standard features including plenty of drawers and cabinets. Provides efficient storage of tools and equipment. Perfect work solutions from industry experts. Ladder racks, accessories, and safety equipment complete the package to tackle any job.



Telecom, Cable, Utility Construction Package			
> Full Size Vans			
PACKAGE #022692			
Item #	Description	Qty.	Page
1	021410 Shelf, Open End 46" H x 43" W x 12" D	1	30
2	022701 Parts Tray/Parts Drawer 28" H x 43" W x 12" D	1	27
3	027084 Partition Fixed Center SL-PM-PR	1	23
4	027459 Parts Drawer/Cabinet Module 46" H x 37" W x 12" D	1	28
5	027486 Shelf Back Panel 36" H x 43" W	1	31
6	027501 Step Ladder Slide	1	35
7	Note Partition Attachment Panels* Must Specify Vehicle Make	1	23



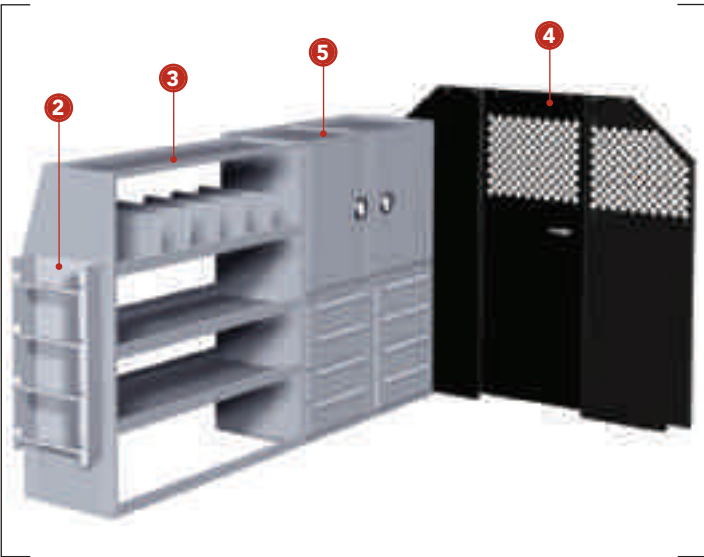
Telecom, Cable, Utility Construction Package			
> Full Size Vans			
PACKAGE #022658			
Item #	Description	Qty.	Page
1	022264 Parts Tray Module 36" H x 43" W x 12" D	1	27
2	022466 Cabinet Storage 24" H x 18.5" W x 18" D	1	32
3	022685 Parts Cabinet w/ Dividers 46" H x 43" W x 16" D	1	26
4	024056 Cabinet, 4 Drawer, Large 22" H x 18.5" W x 18" D	1	32
5	025527 Triple Hook Assembly	1	31
6	027088 Partition w/Door SL-HM-PR	1	23
7	027282 Cable Reel Holder 46" H x 19" W x 16" D	1	33
8	027502 J Hooks (Pair) 3" Dia.	1	31
9	027504 Hard Hat Holder	1	24
10	Note Partition Attachment Panels* Must Specify Vehicle Make	1	23



*Not Shown

ELECTRICAL CONTRACTOR & APPLIANCE REPAIR

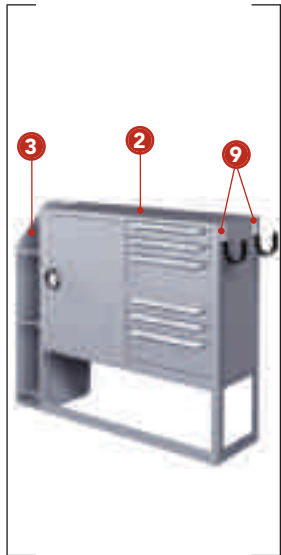
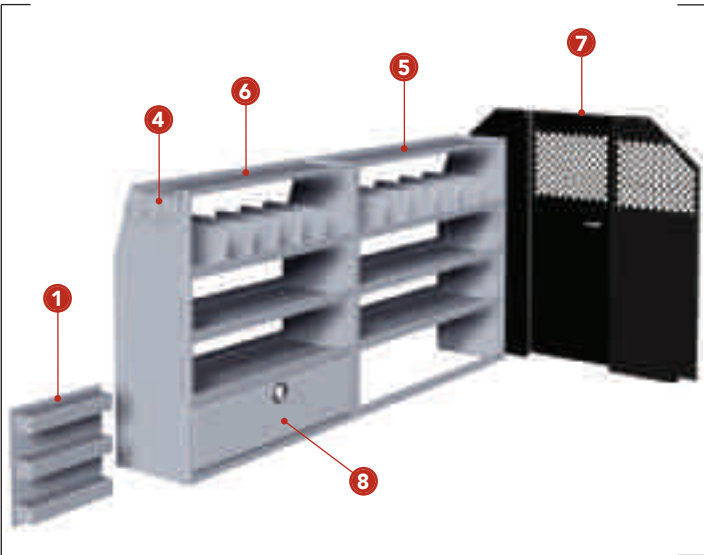
Designed by professionals, includes lockable cabinets and plenty of parts drawers. Convenient ready-to-work packages for maximum productivity.



Electrical Contractor/Appliance Repair Package

> Full Size Vans
PACKAGE #022659

Item #	Description	Qty.	Page
1 022706	Workbench Module 28" H x 43" W x 12" D	1	27
2 024304	Wire Spool Carrier	1	33
3 026802	Utility Shelving w/Dividers 46" H x 43" W x 16" D	1	26
4 027088	Partition w/Door SL-HM-PR	1	23
5 027448	Cabinet/Drawer Stack 46" H x 37" W x 16" D	1	27
6 Note	Partition Attachment Panels* Must Specify Vehicle Make	1	23



Electrical Contractors Package

> Full Size Vans
PACKAGE #026807

Item #	Description	Qty.	Page
1 022679	Door Storage Tray w/Lids-Triple	1	33
2 025520	Cabinet/Parts Drawer Module 36" H x 37" W x 12" D	1	27
3 025522	Manual Rack 36" H x 6" W x 12" D	1	33
4 025527	Triple Hook Assembly	1	31
5 025783	Utility Shelving w/Dividers 46" H x 51" W x 16" D	1	26
6 026803	Utility Shelving w/Dividers 46" H x 37" W x 16" D	1	26
7 027088	Partition w/Door SL-HM-PR	1	23
8 027497	Lockable Storage Door 12" H x 37" W	1	31
9 027502	J Hooks (Pair) 3" Dia.	1	31
10 Note	Partition Attachment Panels* Must Specify Vehicle Make	1	23

*Not Shown

COMMERCIAL VAN INTERIOR PACKAGES

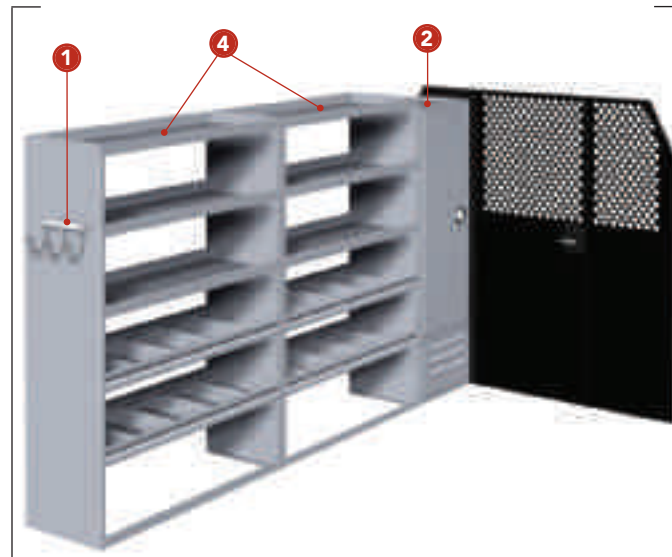
SPRINTER VANS Standard or Raised Roof*

Complete package for any need. Exclusive 60" high modules maximize work space. Drawers, cabinets, and hooks for organized productivity.

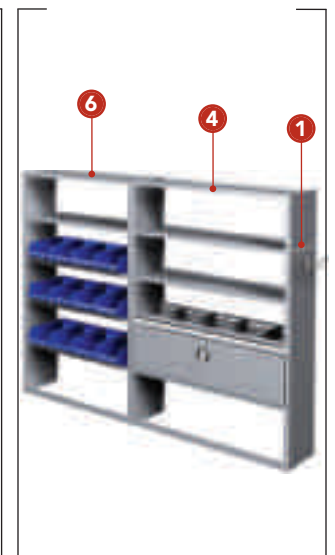
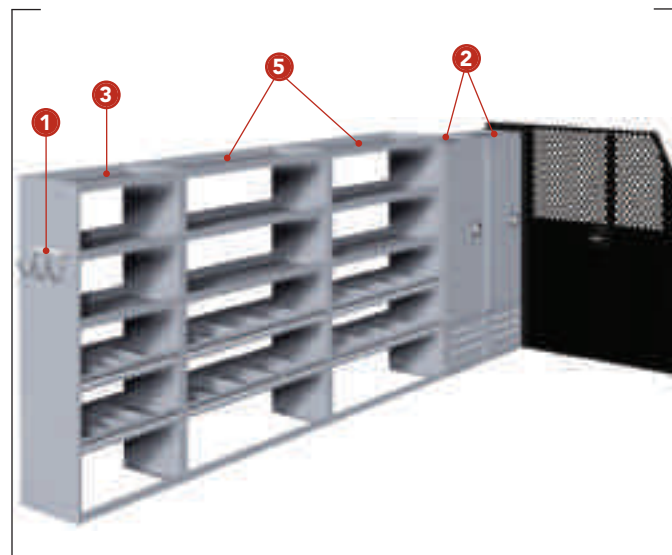
*Standard or raised roof partitions sold separately.



General Service Package			
> Sprinter 140" WB			
PACKAGE #026424			
Item #	Description	Qty.	Page
1	025527 Triple Hook Assembly	2	31
2	026434 Cabinet/Drawer Stack 58"H x 18.5"W x 12"D	1	29
3	026443 Utility Shelf/Parts Tray Module 60"H x 43"W x 12"D	1	29
4	026445 Utility Shelving/Parts Tray Module 60"H x 43"W x 16"D	2	29
5	026446 Utility Shelving/Tote Bins 60"H x 19"W x 12"D	1	29

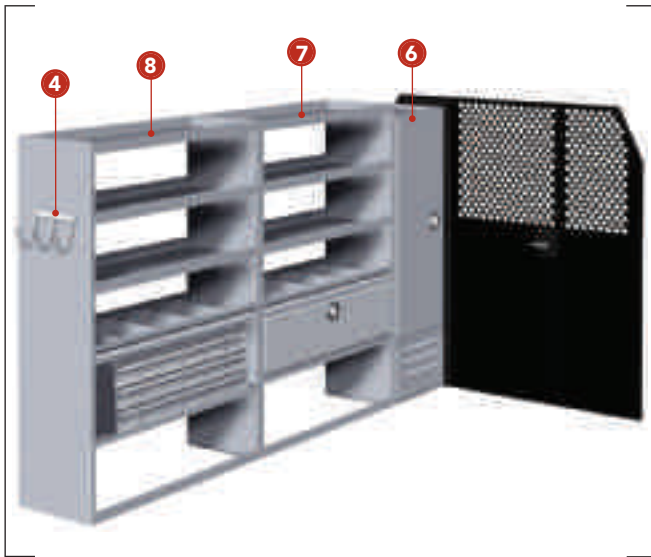


General Service Package			
> Sprinter 158" WB			
PACKAGE #026425			
Item #	Description	Qty.	Page
1	025527 Triple Hook Assembly	2	31
2	026434 Cabinet/Drawer Stack 58"H x 18.5"W x 12"D	2	29
3	026442 Utility Shelving/Parts Tray 60"H x 25"W x 16"D	1	29
4	026443 Utility Shelf/Parts Tray 60"H x 43"W x 12"D	1	29
5	026445 Utility Shelving/Parts Tray 60"H x 43"W x 16"D	2	29
6	026447 Utility Shelving/Tote Bins 60"H x 37"W x 12"D	1	29

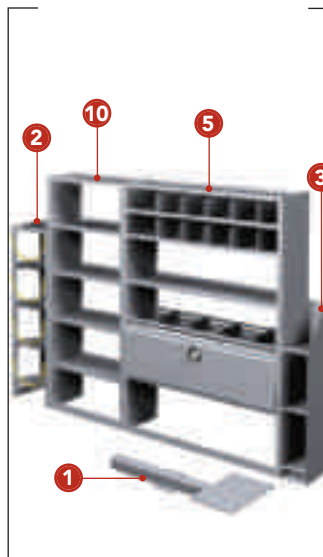
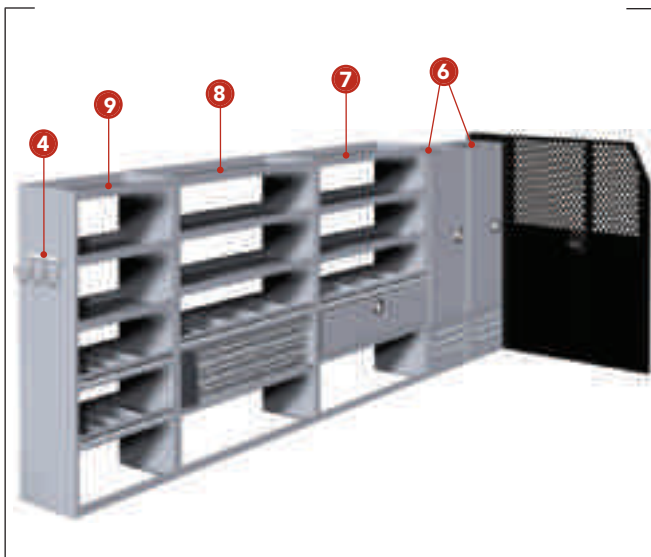




Telecom/Electrical Contractor Package			
> Sprinter 140" & 158" WB			
PACKAGE #026427			
Item #	Description	Qty.	Page
1	022250 Galvanized Storage Tray 4"H x 50"W x 13"D	1	35
2	025527 Triple Hook Assembly	1	31
3	026434 Cabinet/Drawer Stack 58"H x 18.5"W x 12"D	1	29
4	026448 Utility Shelving/Tote Bins 60"H x 25"W x 12"D	1	29
5	026450 Parts Drawer/Tote Bins 36"H x 43"W x 12"D	1	26
6	026451 Storage Cabinet/Parts Cabinet 60"H x 37"W x 12"D	1	28
7	026452 Utility Shelving w/Back Panel 60"H x 51"W x 12"D	1	29
8	027501 Step Ladder Slide	1	35



Construction PHVAC Package			
> Sprinter 140" WB			
PACKAGE #026421			
Item #	Description	Qty.	Page
1	025162 Vise Mount	1	33
2	025254 Freon Tank Rack-4-30# 46"H x 13"W x 12"D	1	33
3	025522 Manual Rack 36"H x 6"W x 12"D	1	33
4	025527 Triple Hook Assembly	1	31
5	026432 Utility Shelf/Parts Tray Module 60"H x 43"W x 12"D	1	29
6	026434 Cabinet/Drawer Stack 58"H x 18.5"W x 12"D	1	29
7	026435 Utility Shelf/Parts Tray Module 60"H x 43"W x 16"D	1	29
8	026436 Utility Shelving/Parts Cabinet 60"H x 43"W x 16"D	1	29



Construction PHVAC Package			
> Sprinter 158" WB			
PACKAGE #026422			
Item #	Description	Qty.	Page
1	025162 Vise Mount	1	34
2	025254 Freon Tank Rack-4-30# 46"H x 13"W x 12"D	1	33
3	025522 Manual Rack 36"H x 6"W x 12"D	1	33
4	025527 Triple Hook Assembly	1	31
5	026432 Utility Shelf/Parts Tray Module 60"H x 43"W x 12"D	1	29
6	026434 Cabinet/Drawer Stack 58"H x 18.5"W x 12"D	2	29
7	026435 Utility Shelf/Parts Tray Module 60"H x 43"W x 16"D	1	29
8	026436 Utility Shelving/Parts Cabinet 60"H x 43"W x 16"D	1	29
9	026442 Utility Shelving/Parts Tray Module 60"H x 25"W x 16"D	1	29
10	027564 Shelving, Solid End 60"H x 25"W x 12"D	1	30

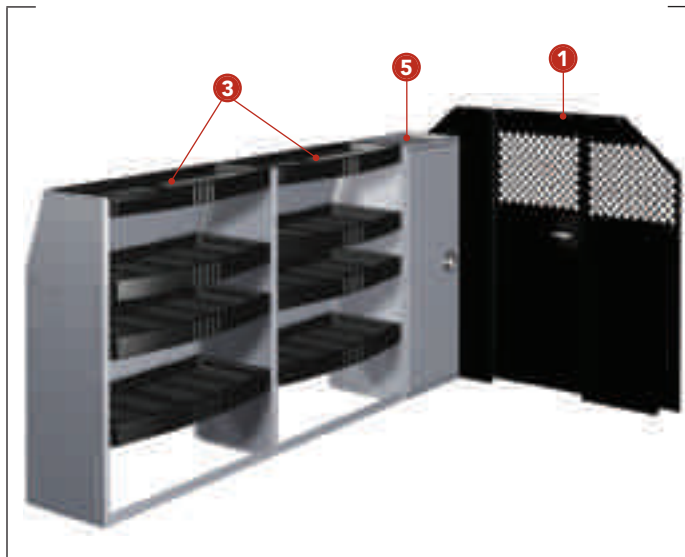
COMMERCIAL VAN INTERIOR PACKAGES



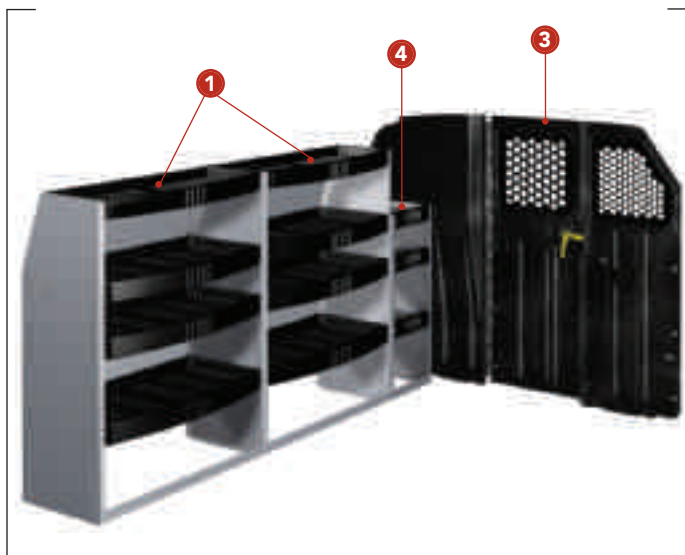
Composite shelves, dividers and cabinets eliminate rattles and never rust or dent. Steel uprights and braces combine to make this one of the strongest shelving systems on the market. Combine QuietFlex™ shelving with a composite safety partition to shed weight from your van interior and carry more cargo.

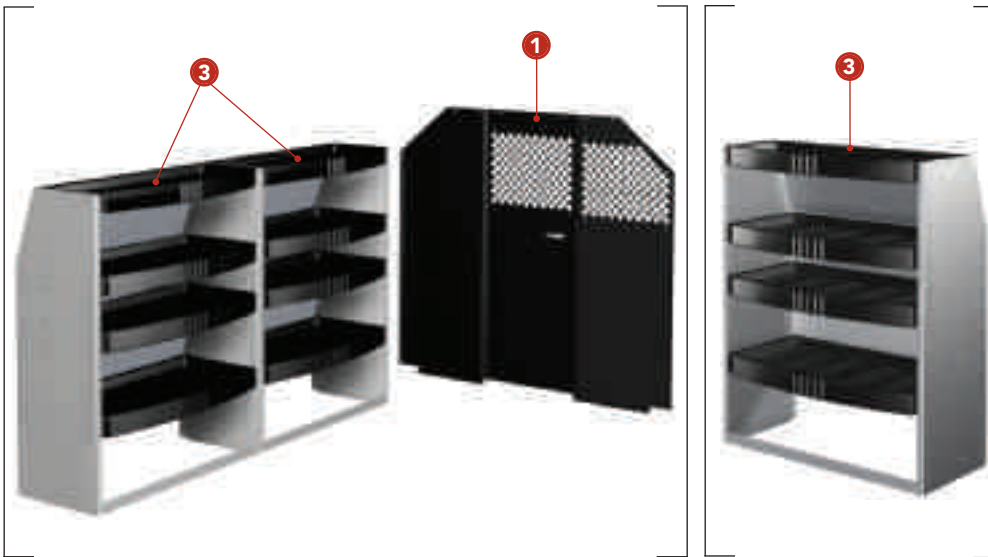


QuietFlex™ Service Package		
➤ Full Size Vans		
PACKAGE #027875		
Item #	Description	Qty.
1	027088 Partition w/Door SL-HM-PR	1
2	Partition Attachment Panels* Must specify vehicle make	1
3	027876 QuietFlex™ Tapered Shelving 46" H X 37" W X 16" D	2
4	027877 Composite Storage Module 46" H X 37" W X 16" D	1
5	025841 Storage Cabinet 46" H X 18.5" W X 12" D	1

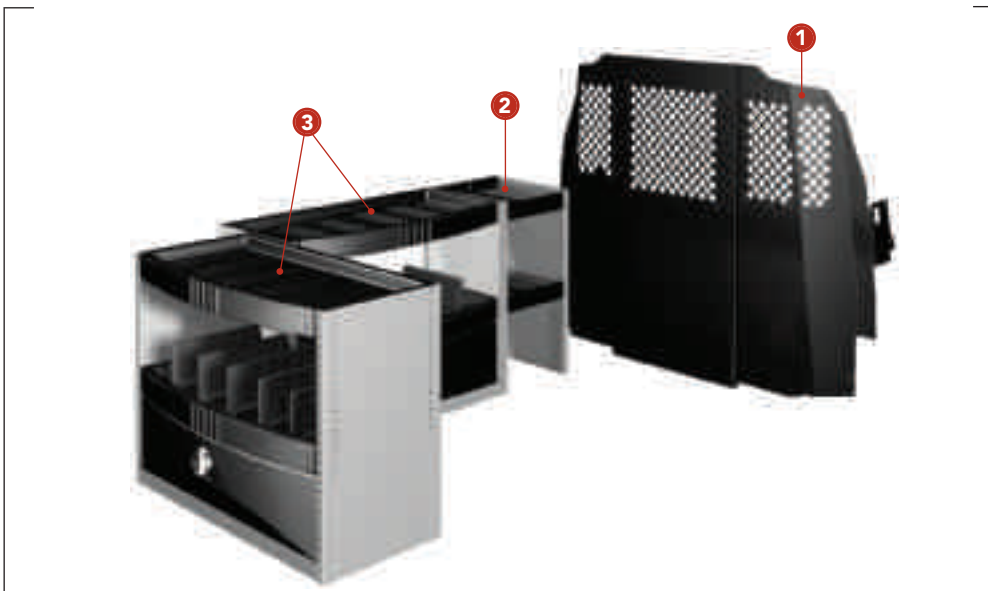


QuietFlexII™ Deluxe Service Package		
➤ Full Size Vans		
PACKAGE #028680		
Item #	Description	Qty.
1	027876 QuietFlex™ Tapered Shelving 46" H X 37" W X 16" D	2
2	027877 Composite Storage Module 46" H X 37" W X 16" D	1
3	Composite Partition w/Door* SL-HM-PR *Must specify vehicle make	1
4	028683 QuietFlex™ Cubby Shelf 35" H X 14" W X 16" D	1





QuietFlex™ Basic Shelving Package		
> Full Size Vans		
PACKAGE #028681		
Item #	Description	Qty.
1 027088	Partition w/Door SL-HM-PR	1
2	Partition Attachment Panels* Must specify vehicle make	1
3 027876	QuietFlex™ Tapered Shelving 46"H X 37"W X 16"D	3



QuietFlex™ Minivan Package		
> Freestar and Uplander Minivans		
PACKAGE #028682		
Item #	Description	Qty.
1	Steel Safety Partition* *Must specify vehicle make	1
2 028700	QuietFlex™ Shelf Module 28"H X 14"W X 16"D	1
3 028686	QuietFlex™ Storage Module 28"H X 37"W X 16"D	2



QuietFlex™ Shelving Accessories



Drawer Packs Add to any shelf. Pack includes drawers, inserts, slide brackets, and latches.
029758 (2) Deep drawers, (4) Shallow drawers (as shown)
029759 (8) Shallow Drawers



Bolt-on Dividers (set of 5)
 Fit any QF™ shelf
028744 Dividers 5.5" tall

028683
QF™ Cubby Shelf Add-On
 35"H X 14"W X 16"D



Lockable Storage Door
028756 Add to the bottom of any shelf module

COMMERCIAL VAN INTERIOR PACKAGES

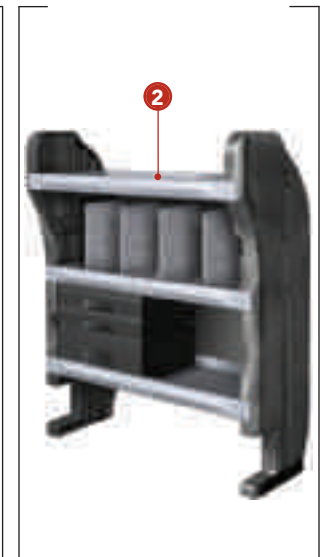
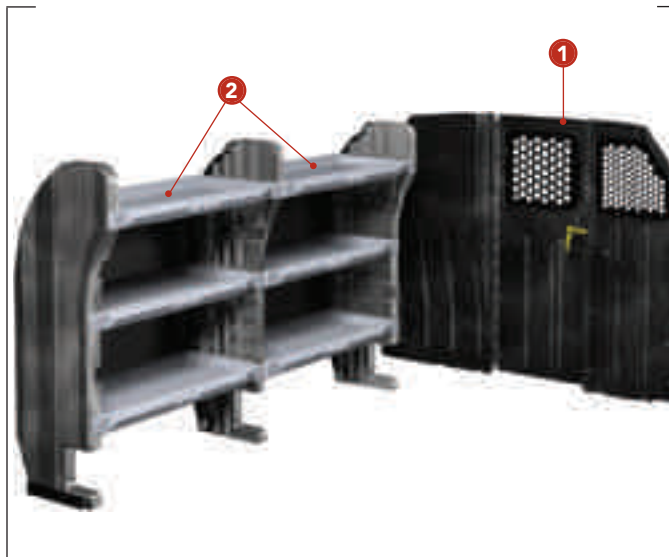


The first all-composite interior system has revolutionized the industry. CSS™ shelving conforms to the van unlike any other system, to maximize useable space. Specially notched uprights enable easy storage of 4X8 sheets of material with a full shelving package. A CSS™ van interior saves up to 120 pounds over the comparable all-steel package, without sacrificing strength or durability.

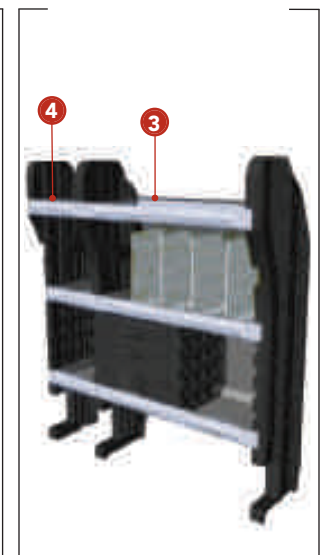
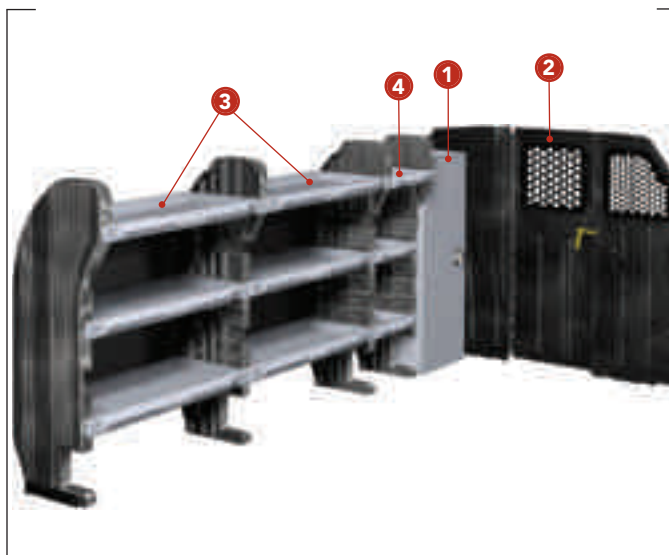


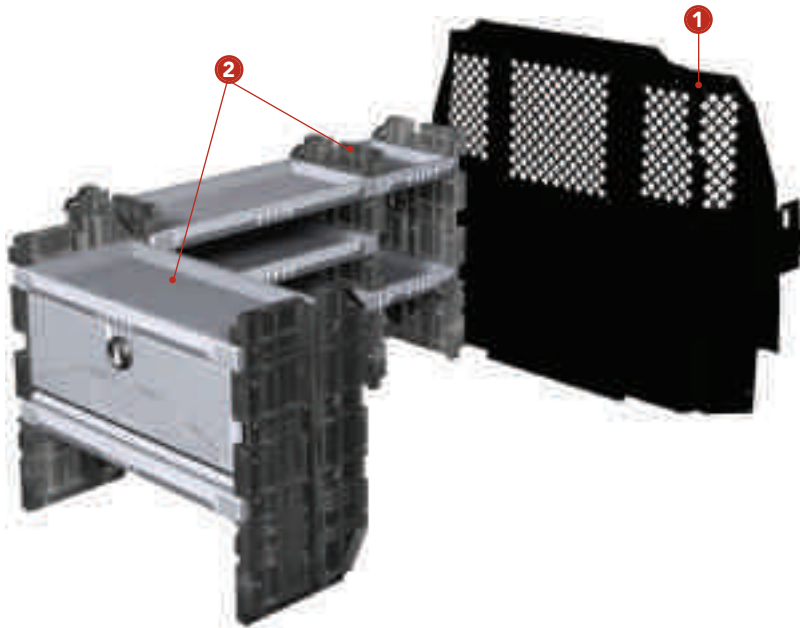
4x8 Sheet Storage

Contour Storage System™		
> Full Size Vans		
PACKAGE #028588		
Item #	Description	Qty.
1	Partition w/Door* SL-HM-PR Must specify vehicle make	1
2	CSS™ Shelving Kit <i>Street Side</i> 51"H X 76"W X 16"D <i>Curb Side</i> 51"H X 39.5"W X 16"D	1



CSS™ Extended Van Package		
> GM Full Size Extended Vans		
PACKAGE #029780		
Item #	Description	Qty.
1	Storage Cabinet 46"H X 18.5"W X 12"D	1
2	Composite Partition w/Door* SL-HM-PR	1
3	CSS™ Shelving Kit <i>Street Side</i> 51"H X 76"W X 16"D <i>Curb Side</i> 51"H X 39.5"W X 16"D	1
4	Tall Cubby Add-On 51"H X 15"W X 16"D	2





CSS™ Minivan Package		
> Freestar and Uplander Minivans		
PACKAGE #028705		
Item #	Description	Qty.
1	Steel Safety Partition* PL-PM-PR Must specify vehicle make	1
2	028706 CSS™ Minivan Interior 32.5"H X 14"W X 16"D	1

CSS™ Accessories



**CSS™
Cubby Shelf Add-On**
028689 Add to package 028588 for additional shelving on the street side



CSS™ Tall Cubby Add-On
029756 Add to package 028588 for additional shelving in extended vans



**Freon
Tank Holder**
028666
(3) Freon Tanks



Drawer Packs Add to curb side module, or use center slide to add to empty shelf
029613 (1) Deep, (2) Shallow
029614 (2) Deep Drawers
029615 (4) Shallow Drawers
029755 Center Drawer Slide w/latches (not shown)



Lockable Storage Door
028656 Add to bottom or center shelf



Bolt-on Dividers Fit any CSS™ shelf
028657 Dividers 12.5" tall (set of 4)
028744 Dividers 5.5" tall (set of 5)

028663
CSS™ Wire
Spool Carrier





Sprinter Partitions are available for both standard and raised roof, with locking door or fixed center. Full perimeter attachments for security.

Minivan Partitions are constructed to the same high quality and safety specifications as our standard full size commercial partitions. Refer to order guide for vehicle fit.

Steel Partitions

- › Exclusive non-glare black finish for superior rear and side visibility.
- › Improves climate control and security.
- › Teflon™ tough finish provides scratch resistance; looks good with today's vehicle interior trim.
- › Available as perforated or solid panels. Center can be a fixed panel or a hinged door with keyed locking handle.
- › Designed to fit most vans (see ordering guide page 23).
- › Easy installation; complete instructions and hardware included.



Partitions for
Full Size Vans



Composite Partitions

Lightweight and quiet yet strong, includes recessed area for improved seat travel. Locking door will not rattle.



COMPOSITE PARTITION WITH LOCKING DOOR

VANS	
ITEM#	
028583	GM Full Size Vans
028609	Ford Full Size Vans

STEEL PARTITION ORDERING GUIDE

ITEM#	STREETSIDE		CENTER			CURBSIDE		ATTACHMENT PANELS			
	PERFORATED	SOLID	PERFORATED		SOLID	PERFORATED	SOLID	FULL SIZE ONLY			
			FIXED	HINGED				FORD	GM		
FULL SIZE VANS											
027083	PL		PM			PR		027116	027250		
027084		SL	PM			PR					
027085		SL	PM				SR				
027086		SL			SM		SR				
027087	PL			HM		PR					
027088		SL		HM		PR					
027089		SL		HM			SR				
WALK THRU											
027221	PL					PR					
027222		SL				PR					
027223		SL					SR				
TRANSIT CONNECT											
02B932	PL					PR					
CARAVAN											
02A807*	PL		PM			PR					
SPRINTER											
02A366		SL	PM			PR		02A375			
02A368		SL		HM		PR					
02A367	PL			HM		PR					

RAISED ROOF PANEL

*Stow 'n Go™ and Airbag compatible

PARTITION ACCESSORIES



Utilize the Cab Partition for productive work space. Keep safety equipment and work files right at hand.

- **025536 Head Impact Pad**
Vinyl covered dense foam pad
7"H x 12"W x 4" Thick
- **027511 Order Book Holder**
Two pockets hold manuals and work orders.
Wire construction for visibility.
12"H x 14"W x 5"D
- **022181 Triangle Reflector Kit**
Three D.O.T. approved safety reflectors with storage case.
- **027512 Reflector Kit Holder**
Metal pocket holds 022181 Reflector Kit.
- **021782 First Aid Kit**
Ten-unit kit includes first aid supplies in a storage case. OSHA compliant with individually packaged items.
- **020122 First Aid Kit Holder**
Secure first aid kit to partition.
9"W x 3"D
- **020982 Fire Extinguisher**
Class 1-A: 10-B: C 2-1/2 lb. rechargeable dry chemical extinguisher with mounting bracket. UL approved meets DOT requirements.
- **026383 Fire Extinguisher**
Same as above, 5 lb. dry chemical extinguisher.
- **022602 Seven Pocket Literature Holder**
For easy access of work orders and manuals.
27"H x 14"W x 7"D
- **027504 Hard Hat Holder**
Holder will securely store standard hard hat.
16"H x 12"W
- **026741 Single Tank Holder**
Allows tanks 4" to 12" in dia. to be strapped in place and held securely for transport.
5"H x 10"W

Accessories fit full size and minivan partitions or mount on vertical surfaces in the cargo area.

POLYCARBONATE COVER PANELS

	FULL SIZE	TRANSIT CONNECT	CARAVAN	SPRINTER
COMPLETE SET FOR PARTITIONS LEFT, CENTER, RIGHT PANELS	027345	02B959	027639	027643
COMPLETE SET FOR PARTITIONS CENTER, RIGHT PANELS	027343	—	—	027644
COMPLETE SET FOR PARTITIONS CENTER PANEL ONLY	027346	—	—	—

Masterack's patented Cab Organizer™ is the solution to van cab clutter.

- › Organize the driver area safely and ergonomically.
- › Provides a secure lock up for valuables.
- › Includes hangers for pendaflex-style file folders.
- › Engine covers can be removed for service without removing the Cab Organizer.



021742 Cab Organizer™ for Full Size Vans. 20"H x 14"W x 16"L
Features lift up lid with a counter balance spring to protect the user.
A safety release latch allows the top to slide forward to create a handy writing desk. A sliding storage tray is standard.



022536 Cab Organizer for Minivans
16"H x 7.5"W x 14"L

Ideal for minivans, features hangers for file folders and a removable cup holder/storage tray. The lid hinges forward to create a writing surface. All corners are rounded for safety.

STORAGE MODULES



Parts Drawer / Bin Module

Includes fixed divider shelf, lockable storage door, (2) three drawer cabinets, and triple hook.

025785 36"H x 37"W x 12"D as shown



Parts Drawer / Bin Module

Includes manual rack, (2) fixed divider shelves, (2) three drawer cabinets, lockable storage door, and triple hook.

025840 36"H x 43"W x 12"D as shown



Parts Drawer / Tote Bins

Includes (2) three drawer cabinets, (4) plastic tote bins, lockable storage door. 020060 36"H x 37"W x 12"D as shown 026450 36"H x 43"W x 12"D 022691 46"H x 37"W x 12"D includes additional shelf.



Parts Drawer / Bin Module

Includes (2) three drawer cabinets, (2) divider shelves, lockable storage door, and shelf back. For full size vans.

027446 46"H x 37"W x 12"D as shown

025320 46"H x 43"W x 12"D same as above plus a manual rack.



Parts Drawer / Cabinet Module

Includes (2) lockable storage cabinets with shelf, and (2) three drawer cabinets. For full size vans.

027447 46"H x 37"W x 12"D as shown

025321 46"H x 43"W x 12"D same as above plus a manual rack.



Cabinet Stack Module

Includes (2) 12"D storage cabinets, and (2) 18"D storage cabinets. Each cabinet includes a shelf. Fits vehicle contour.

022686 48"H x 37"W x 18"D as shown



Utility Shelving with Dividers

Includes (5) bolt-in shelf dividers.

026803 46"H x 37"W x 16"D as shown

026802 46"H x 43"W x 16"D

025783 46"H x 51"W x 16"D

025839 46"H x 74"W x 16"D (Dual)



Parts Cabinet / Utility Shelving

Includes tapered shelf module with an 18-drawer parts cabinet and tilt shelf. Contour to fit vehicle profile.

026805 46"H x 37"W x 16"D

026804 46"H x 43"W x 16"D as shown



Parts Cabinet with Dividers

Includes tapered shelf module with an 18-drawer parts cabinet, tilt shelf, and (10) bolt-in shelf dividers.

022684 46"H x 37"W x 16"D

022685 46"H x 43"W x 16"D as shown



Workbench Module

Includes (2) three drawer cabinets, lockable storage door, and a durable worktop surface.

022707 28"H x 37"W x 12"D

022706 28"H x 43"W x 12"D as shown



Parts Tray / Parts Drawers

Includes (2) three drawer cabinets, parts tray with movable dividers, and a hinged lid that doubles as a worktop.

022700 28"H x 37"W x 12"D as shown

022701 28"H x 43"W x 12"D



Divided Shelf Storage Module

Includes (2) fixed divider shelves, and a flat storage shelf.

020066 28"H x 37"W x 12"D as shown

020065 36"H x 37"W x 12"D



Cabinet / Drawer Stack

Includes (2) large four drawer cabinets and (2) 12"D lockable storage cabinets with adjustable shelf.

027448 46"H x 37"W x 16"D as shown



Dual Cabinet Storage Module

Includes (2) lockable storage cabinets with (1) adjustable shelf per cabinet.

020061 36"H x 37"W x 12"D as shown

021403 46"H x 37"W x 12"D includes an additional 37"W x 12"D shelf



Cabinet / Parts Drawer Module

Includes a locking storage cabinet with adjustable shelf, and (2) three drawer parts cabinets.

025520 36"H x 37"W x 12"D as shown

022704 46"H x 37"W x 12"D includes an additional shelf.



Utility Shelf / Parts Drawer

Includes tapered parts tray module, with three drawer parts cabinet and deep lip top tool tray.

027278 46"H x 37"W x 12"D as shown.

027449 46"H x 37"W x 12"D includes an additional three drawer cabinet.

027450 46"H x 43"W x 12"D includes an additional three drawer cabinet.



Parts Tray Modules

Includes 3" deep parts trays with movable dividers.

026801 36"H x 31"W x 12"D 027451 36"H x 37"W x 16"D

022262 36"H x 37"W x 12"D 027452 36"H x 43"W x 16"D

022264 36"H x 43"W x 12"D 027453 36"H x 51"W x 16"D

027374 36"H x 51"W x 12"D

022263 28"H x 37"W x 12"D

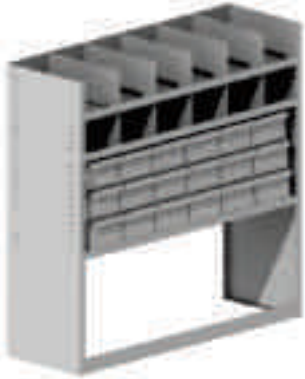
022265 28"H x 43"W x 12"D

Modules are available in 12" and 16" depths and multiple widths to insure the maximum use of space.

Up to 36" high fit minivans. Up to 48" high fit full size vans.

Tapered modules fit the vehicle contour to maximize floor space.

STORAGE MODULES



Divided Shelf / Parts Cabinet

Includes (2) divider shelves, and an 18 drawer parts cabinet with tilt shelf.
020069 36"H x 37"W x 12"D as shown
022703 46"H x 37"W x 12"D includes additional shelf.



Storage Cabinet / Parts Cabinet

Includes (2) lockable storage cabinets, and an 18-drawer parts cabinet with tilt shelf. Fits full size vans.
027459 46"H x 37"W x 16"D as shown



Drawer Storage Module

Includes a 3"H x 18"D drawer, a 6"H x 18"D drawer, and shelves. See page 21 for drawer features.
027510 28"H x 37"W x 18"D
021400 36"H x 37"W x 18"D
021399 46"H x 37"W x 18"D as shown



Tall Storage Cabinet

Lockable storage cabinet includes (3) adjustable shelves.
025841 46"H x 18.5"W x 12"D

Steel modules designed for the really big jobs.



- Exclusive 60" high modules fit Sprinter and Walk-in Vans.
- Available in 12" deep and 16" deep storage modules, combine with shelving modules shown on page 34.
- Modules offer a wide assortment of shelving, drawers, and cabinets to fit any need.
- Mix-and-match modules to custom design your own workshop on wheels.
- Add job specific accessories to complete your van package.
- See pages 52-53 for recommended vehicle fit.



Storage Cabinet / Parts Cabinet

Includes (2) lockable storage cabinets and an 18 drawer small parts cabinet with tilt shelf.
026451 60"H x 37"W x 12"D



Divided Shelf / Parts Tray

Includes (2) fixed divider shelves, a parts tray with movable dividers, and a lockable storage door.

027460 60"H x 37"W x 12"D

026432 60"H x 43"W x 12"D as shown



Utility Shelf / Parts Tray Module

Includes a parts tray with movable dividers, a lockable storage door, and utility shelving.

027461 60"H x 37"W x 12"D

026443 60"H x 43"W x 12"D as shown

027462 60"H x 51"W x 12"D



Utility Shelving with Back Panel

Utility shelving with back panel retainer. Additional sizes available, see page 34.

027463 60"H x 37"W x 12"D

027464 60"H x 43"W x 12"D

026452 60"H x 51"W x 12"D as shown



Cabinet / Drawer Stack

Includes a tall locking storage cabinet and a three drawer parts cabinet.

026434 58"H x 18.5"W x 12"D



Utility Shelving / Parts Cabinet

Utility shelving module with a parts tray and an 18 drawer parts cabinet w/ tilt shelf.

027469 60"H x 37"W x 16"D

026436 60"H x 43"W x 16"D as shown



Utility Shelving / Parts Drawer

Utility shelving module with (2) three drawer cabinets and lockable door.

027467 60"H x 37"W x 16"D as shown

027468 60"H x 43"W x 16"D



Utility Shelving / Tote Bins

Utility shelving module w/plastic tote bins.

026446 60"H x 19"W x 12"D (6 bins)

026448 60"H x 25"W x 12"D (6 bins)

027465 60"H x 31"W x 12"D (9 bins)

026447 60"H x 37"W x 12"D (12 bins)

026449 60"H x 43"W x 12"D (15 bins)

027466 60"H x 51"W x 12"D (18 bins)



Utility Shelf / Parts Tray Module

Includes a parts tray with movable dividers and a lockable storage door.

026431 60"H x 19"W x 16"D

027477 60"H x 25"W x 16"D

027470 60"H x 31"W x 16"D

027471 60"H x 37"W x 16"D

026435 60"H x 43"W x 16"D as shown

027472 60"H x 51"W x 16"D



Utility Shelving / Parts Tray Module

Utility shelving with parts trays.

026444 60"H x 19"W x 16"D

026442 60"H x 25"W x 16"D

027473 60"H x 31"W x 16"D

027474 60"H x 37"W x 16"D

026445 60"H x 43"W x 16"D as shown

027475 60"H x 51"W x 16"D

SOLID STEEL SHELVING MODULES



Masterack® adjustable steel shelving offers strong, durable, and economical storage for a variety of items.

- ▶ Available in multiple heights, widths, and depths to insure the maximum use of interior space; choose the size that fits your needs.
- ▶ Heavy gauge steel construction with a tough-as-nails polyester powder coat finish for superior protection.
- ▶ Up to 36" high modules fit minivans
Up to 46" high modules fit full size vans
Up to 60" high modules fit Sprinter/walk-in vans
- ▶ Assembly and installation hardware included.



12", 16", and 22" Open End Shelving



12" and 16" Solid End Shelving



12" and 16" Tapered End Shelving

STEEL SHELVING ORDERING GUIDE

OPEN END MODULES		SHELVING MODULE WIDTH						
		13" Wide	19" Wide	25" Wide	31" Wide	37" Wide	43" Wide	51" Wide
12" Deep	28" High	021398	021426	021425	021424	021423	021422	027514
	36" High	021421	021420	021419	021418	021417	021416	027515
	46" High	021415	021414	021413	021412	021411	021410	027516
	60" High	027517	027518	026441	027520	027521	027522	027523
16" Deep	36" High	—	027525	027526	027527	027528	027529	027530
	46" High	—	027532	027533	027534	027535	027536	027537
	60" High	—	027539	027540	027541	027542	027543	027544
22" Deep	46" High	—	—	—	—	027549	027550	027551
	60" High	—	—	—	—	027556	027557	027558
SOLID END MODULES								
12" Deep	28" High	022842	022841	022840	022839	022838	022837	027559
	36" High	022836	022835	022834	022833	022832	022831	027560
	46" High	022826	022825	022824	022823	022822	022821	027561
	60" High	027562	027563	027564	027565	027566	027567	027568
16" Deep	36" High	—	027524	022830	022829	022828	022827	027569
	60" High	—	027531	027570	027571	027572	027573	027574
TAPERED MODULES								
12" Deep	46" High	—	—	—	—	027545	027546	—
16" Deep	46" High	—	027538	022817	022432	022433	022434	025591

STEEL SHELVING SYSTEM COMPONENTS



Shelf backs are constructed of a durable high-impact polypropylene. Use to close off back of shelving and help control noise. Height can easily be cut to fit module.
027484 25"W x 36"H **027486** 43"W x 36"H
027485 31"W x 36"H **027487** 51"W x 36"H
027176 37"W x 36"H



Multi-purpose utility hooks are ideal for a variety of uses. Zinc plated for long life, rounded for safety. 2" hook dia.
025527 Triple Hook Assembly
020136 Upright mounted Single Hook
020137 Upright Hook turned 90 deg.



Heavy duty, vinyl coated "J" hooks can be mounted to shelving, or any vertical surface inside the van. Sold as set of two with hardware.
027503 5" dia. Large "J" hooks
027502 3" dia. Small "J" hooks



Worktops are constructed of a laminate covered plywood surface. Easily convert any low-profile module into a handy, durable workbench top.
020316 37"W x 14"D worktop
027480 43"W x 14"D worktop
027479 37"W x 18"D worktop
021481 43"W x 18"D worktop



Shelf liners prevent contents from shifting and help reduce noise. Kits come in 10ft. long rolls. Available in 12" and 16" widths. Cut length to fit.
027548 10' roll x 12"D
027552 10' roll x 16"D



Plastic Tote Bins and handy elastic cargo straps can be used for a wide variety of cargo containment needs.
021471 5"H x 8"W x 12"D Storage Bin
027553 10" Elastic Strap (set of ten)
027554 20" Elastic Strap (set of ten)
022690 32" Heavy Duty Rubber Strap



Lockable Storage Doors may be added to any storage module to create a secure compartment.
027500 19"W x 12"H Storage Door
027495 25"W x 12"H Storage Door
027496 31"W x 12"H Storage Door
027497 37"W x 12"H Storage Door
027498 43"W x 12"H Storage Door
027499 51"W x 12"H Storage Door

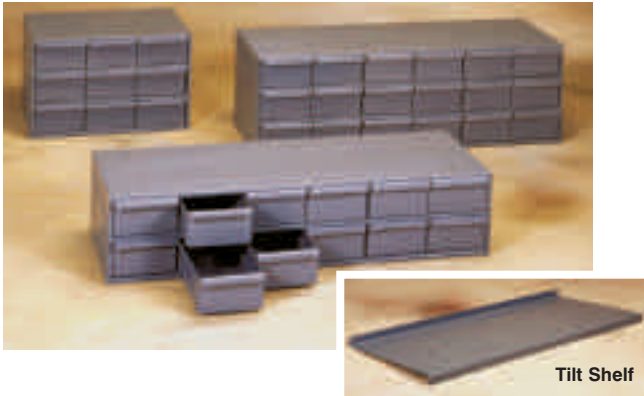


Shelf dividers bolt to shelving, no drilling required. Easily adjustable to organize equipment. Sold as set of five dividers.
021396 5"H x 12"D Shelf Divider
021395 10"H x 12"D Shelf Divider
022528 8"H x 16"D Shelf Divider



Key machine base holds key cutting machines for easy use by the operator. Holds up to two key cutting machines, mounts to 18" deep worktop.
026087 36"W x 16"D Key Machine Base

PARTS DRAWER CABINETS



Tilt Shelf

Metal Parts Cabinets offer low cost storage for nuts and bolts, or other small items. Available in six sizes to fit your budget and needs. Cabinets include drop-in drawer dividers and bolt to steel or wire shelves. Tilt shelf recommended for Solid Steel Shelving.

- 021021 5"H x 34"W x 12"D 6-drawer
- 021058 8"H x 24"W x 12"D 8-drawer
- 021056 11"H x 17"W x 12"D 9-drawer
- 021057 8"H x 34"W x 12"D 12-drawer
- 021007 11"H x 34"W x 12"D 18-drawer
- 021000 14"H x 34"W x 12"D 24-drawer

Tilt Shelves

Heavy gauge to support parts cabinets. Tilts back to keep drawers closed during transit.

- 022482 19"W x 12"D
- 025072 25"W x 16"D
- 020043 37"W x 12"D
- 022531 37"W x 16"D
- 022340 43"W x 12"D
- 022532 43"W x 16"D



Masterack® Metal Parts Drawers provide versatile, lockable storage for tools and small items. Shallow drawers include divided scoop tray. Cabinets mount to shelving module, or can be stacked on each other.

- 022788 12"H x 18.5"W x 12"D 2-drawer shown
- 027259 12"H x 18.5"W x 12"D 3-drawer shown
- 022787 12"H x 18.5"W x 12"D 4-drawer shown
- 025070 12"H x 18.5"W x 16"D 2-drawer
- 024515 22"H x 18.5"W x 16"D 4-drawer shown
- 024056 22"H x 18.5"W x 18"D 4-drawer

STORAGE CABINETS



Exterior Vented Tank Storage Cabinets feature gasket sealed doors with snap tight latches. Cabinets include venting hoses and all connections. (Propane vents floor only).

Available as left or right hinged doors. Installation instructions and hardware included.

- 020193 34"H x 14"W x 17"D LH-Combination Propane/ Mapp
- 022856 34"H x 14"W x 14"D Universal Propane Cabinet
- 020711 23"H x 14"W x 8"D LH-Mapp/Acetylene Cabinet
- 024450 23"H x 14"W x 8"D RH-Mapp/Acetylene Cabinet



Lockable Storage Cabinets provide generous, secure storage. Cabinets include an adjustable shelf and locking handle.

- 021392 24"H x 18.5"W x 12"D includes 1 shelf
- 024514 24"H x 18.5"W x 16"D includes 1 shelf
- 026188 24"H x 18.5"W x 16"D incl. 4 padded shelves
- 022466 24"H x 18.5"W x 18"D includes 1 shelf
- 025841 46"H x 18.5"W x 12"D includes 3 shelves

Additional Cabinet Shelf available:

- 027555 18.5"W x 12"D fits 12" deep cabinets
- 027586 18.5"W x 16"D fits 16" deep cabinets
- 022673 18.5"W x 18"D fits 18" deep cabinets



Freon Tank Racks vertically store Freon tanks in a cradle with tie-down chains to secure the tanks. Tank Rings mount to floor, store individual tanks.

- 025544 28"H x 13"W x 12"D Tank Rack 2-30# Tanks
- 027588 36"H x 16"W x 16"D Tank Rack 2-50# Tanks
- 025545 36"H x 13"W x 12"D Tank Rack 3-30# Tanks
- 025254 46"H x 13"W x 12"D Tank Rack 4-30# Tanks
- 025295 30# Single Freon Tank Ring
- 025296 50# Single Freon Tank Ring



Wire Spool Carrier mounts to shelving, or vertical surface to organize wire spools, tape rolls, and other items.
024304
24"H x 12"W x 4"D



Cable Reel Holder carries two cable reels horizontally on adjustable rollers to conveniently feed cable. Secure in place with tie-down chains.
027282
46"H x 19"W x 16"D



Book File with retaining strap, mounts to floor or shelving.
022493 12"H x 6"W x 12"D
Small Book File
022494 12"H x 10.5"W x 12"D
Large Book File



Manual Rack contains three shelves to carry catalogs or parts manuals.
025522 36"H x 6"W x 12"D



020033 **Step Stool**



Door Storage Tray mounts to hinged cargo door or vertical surface for convenient storage of small parts. Each tray is 3.5"H x 18"W x 4.5"D
022678 Single Tray with Lid and Dividers
022679 Triple Tray with Lid and Dividers



Visé Mount telescopes out van door to handle long material lengths. Floor mounted, accepts standard visé.
025162 36" closed x 60" extended



020100 **Saw Holder**



Universal braces can be used to further secure drawers, cabinets and shelving to the vehicle. Cut and bend to fit as necessary. Heavy-duty T-brackets can be used to reinforce modules to the side walls of the van for severe-duty applications.

Universal Attachment Brace
027651 Set of six with fasteners

Heavy Duty T-Bracket
027652 Set of six with fasteners



Automotive grade touch-up paint
Matches original equipment color. 0.6 FL OZ.
027648 White touch-up
027649 Gray touch-up
027650 Satin Black touch-up

VAN ACCESSORIES



Cargo Mats are constructed of heavy duty rubber. The mats offer effective protection from scratches, dents, and spills. The unique anti-skid, air cushion design looks good and muffles sound. Mats are custom cut for each type of vehicle. Specify make, model, year, and wheelbase to insure proper fit.

VAN MAT ORDERING GUIDE

VEHICLE	WHEELBASE	PART #
FORD E-SERIES	138" WB - Standard	022444
	138" WB - Extended	022770
TRANSIT CONNECT	Standard	02C098
GM FULL SIZE	135" WB	024075
	155" WB	025803
SPRINTER	144" WB	02A428
	170" WB	02B760
Caravan	Standard	028411



Floor Drawers

Heavy duty drawers with smooth glide rollers provide secure, lockable storage for parts, tools, and equipment. Safety latches when closed. Includes adjustable dividers and anti-skid strips on top.

FLOOR DRAWER ORDERING GUIDE

MODEL #	DIMENSIONS	NUMBER OF DRAWER SECTIONS	NUMBER OF DIVIDERS
025344	12"W x 12"H x 50"D	1	6
025327	20"W x 12"H x 50"D	1	6
026058	30"W x 10"H x 50"D	3	12
026147	40"W x 10"H x 50"D	4	16

WINDOW SCREEN ORDERING GUIDE

	Rear Doors	Side Hinged	Side Sliding	Complete Kit
FORD E-SERIES	027591	027590	027589	—
TRANSIT CONNECT	02B941	—	02B942	—
CHEVROLET EXPRESS	027594	027593	027592	—
GMC SAVANA	027594	027593	027592	—
SPRINTER	02B128	—	02B127	—
CARAVAN	—	—	—	02B624





Bumper Mounted Safety Cone Holder is an effective way to carry safety cones and free up interior space. Holds up to four cones.
025547 Bumper Cone Holder
022632 Front License Bracket



Safety Cone with weighted base. Meets DOT specs.
025398 28"H x 15"W



Galvanized Storage Tray is perfect for storing shovels and dirty tools inside van. Tray can be mounted to van floor or back of modules.
022250 4"H x 50"W x 13"D



Rear Crossview Mirror for improved rear visibility. White finish.
025113 Ford E-Series mirror
024145 GM Full Size mirror
023072 Astro/Safari mirror
022973 3" Round Blind Spot mirror, stick-on.



BackUp Alarms available as exterior audible alarm, or as rear sensing system with increasing frequency as objects get closer to vehicle.
025188 97db. Audible Alarm
025647 Rear Sensing System



Step Ladder Slide carries up to 7ft. ladder inside van.
027501 10"W x 54"L



Power Inverter Kits come complete with inverter, 30 ft. of cable, fuse and holder, protective loom, installation diagram and owner's manual. See page 17.
027330 500W Quasi-Sine
027331 600W Pure Sine
027332 1000W Quasi-Sine
027333 1000W Pure Sine



Document Pouch for important papers. Black with clear pouch.
024381 10.5"H x 15.5"W



Nitrogen Tank Carriers secures 9.25" dia. nitrogen tank horizontally. Roll-out pivots to the ground for safer, easier handling of heavy tanks.
020192 60" Fixed Carrier w/Strap
026207 60" Roll-Out Carrier



Interior Light 12V fluorescent provides ample work lighting.
022204 6"W x 18"L 30 Watt



Wheel Chocks, meet OSHA requirements for safety.
022923 Aluminum Ice Chock (Ea.)
024316 Rubber Chocks (pair)

COMMERCIAL VAN INTERIOR PACKAGES

WALK-IN VANS

For big jobs. Available in 60" high modules and shelving up to 22" deep provide maximum carrying capacity. Choose pre-planned interior packages, or create your own. Use workbench modules to create a mobile shop. Add cabinets, drawers, and accessories to complete any package. For use in FRP or structural frame bodies.

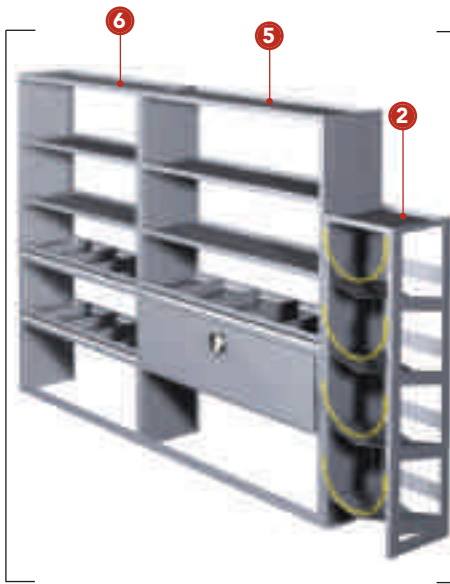


Basic Shelving Package			
> Walk-In Vans 8ft. Body			
PACKAGE #027575			
Item #	Description	Qty.	Page
1	027557 Shelf, Open End 60"H x 43"W x 22"D	2	30
2	027558 Shelf, Open End 60"H x 51"W x 22"D	2	30

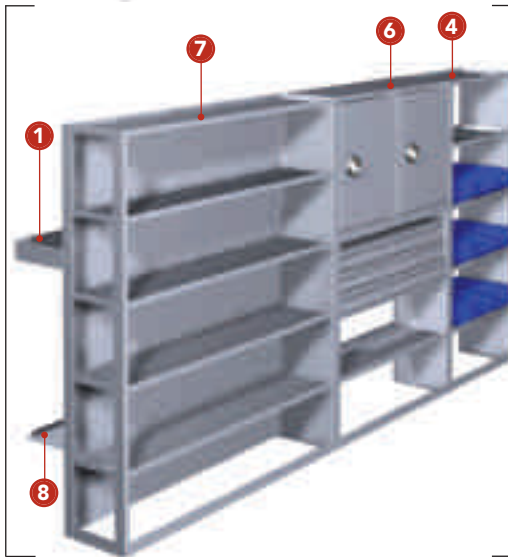


General Contractor Package			
> Walk-In Vans 10ft. Body			
PACKAGE #027576			
Item #	Description	Qty.	Page
1	020852 Bulk Storage Bin 16"W x 22"L x 6"D	3	21
2	022466 Cabinet, Storage 24"H x 18.5"W x 18"D	1	32
3	024056 Cabinet, 4 Drawer, Large 22"H x 18.5"W x 18"D	1	32
4	025527 Triple Hook Assembly	1	31
5	027467 Utility Shelving/Parts Drawer 60"H x 37"W x 16"D	1	29
6	027475 Utility Shelving/Parts Tray 60"H x 51"W x 16"D	1	29
7	027557 Shelf, Open End 60"H x 43"W x 22"D	1	30
8	027558 Shelf, Open End 60"H x 51"W x 22"D	1	30





Plumbing HVAC Package			
> Walk-In Vans 10ft. Body			
PACKAGE #027577			
Item #	Description	Qty.	Page
1	025162 Vise Mount	1	33
2	025254 Freon Tank Rack-4-30# 46"H x 13"W x 12"D	1	33
3	025527 Triple Hook Assembly	1	31
4	026434 Cabinet/Drawer Stack 58"H x 18.5"W x 12"D	1	29
5	026435 Utility Shelf/Parts Tray Module 60"H x 43"W x 16"D	1	29
6	026445 Utility Shelving/Parts Tray Module 60"H x 43"W x 16"D	1	29
7	026436 Utility Shelving/Parts Cabinet 60"H x 43"W x 16"D	1	29
8	027475 Utility Shelving/Parts Tray Module 60"H x 51"W x 16"D	1	29



Utility Construction Package			
> Walk-In Vans 10ft. Body			
PACKAGE #027578			
Item #	Description	Qty.	Page
1	022250 Galvanized Storage Tray 4"H x 50"W x 13"D	1	35
2	025527 Triple Hook Assembly	1	32
3	026434 Cabinet/Drawer Stack 58"H x 18.5"W x 12"D	2	29
4	026448 Utility Shelving/Tote Bins 60"H x 25"W x 12"D	1	29
5	026450 Parts Drawer/Tote Bins 36"H x 43"W x 12"D	1	26
6	026451 Storage Cabinet/Parts Cabinet 60"H x 37"W x 12"D	1	28
7	026452 Utility Shelving with Back Panel 60"H x 51"W x 12"D	1	29
8	027501 Step Ladder Slide	1	35



Maximize the capacity of shelving modules with shelf retainers and bulk storage bins. Add cabinets, drawers, and hooks to complete any walk-in van package.

- 020718 37" Shelf Retainer (pair)
- 027519 43" Shelf Retainer (pair)
- 027579 51" Shelf Retainer (pair)
- 020852 Bulk Storage Bin 16"W x 22"L x 6"D

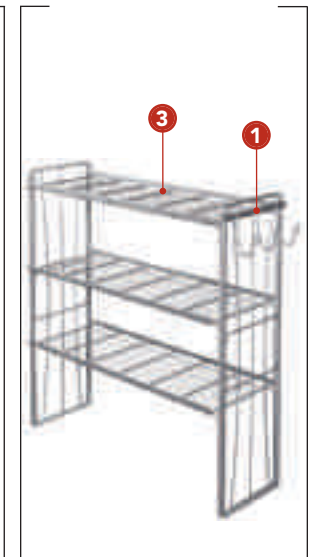
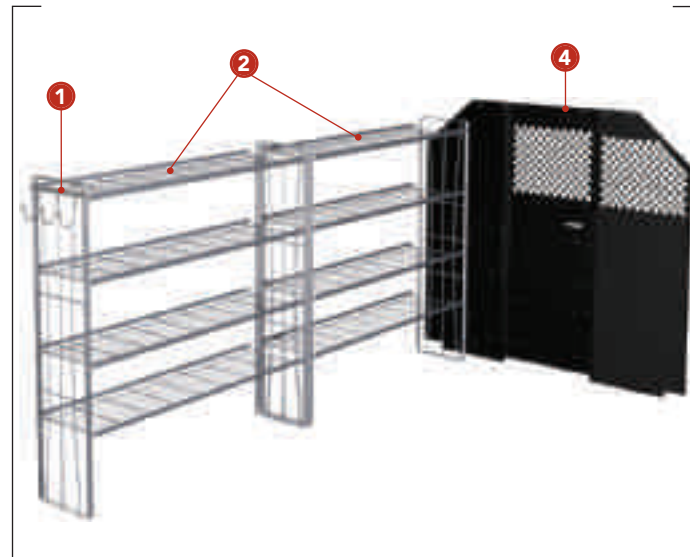
COMMERCIAL VAN INTERIOR PACKAGES

ADJUSTABLE WIRE INTERIOR SYSTEMS

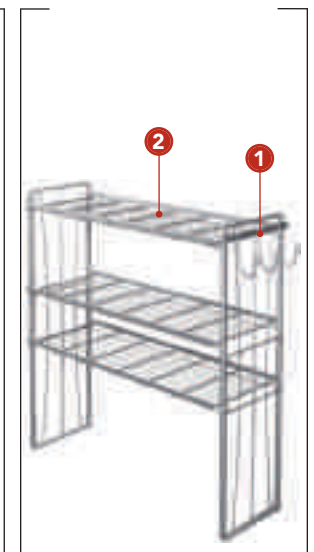
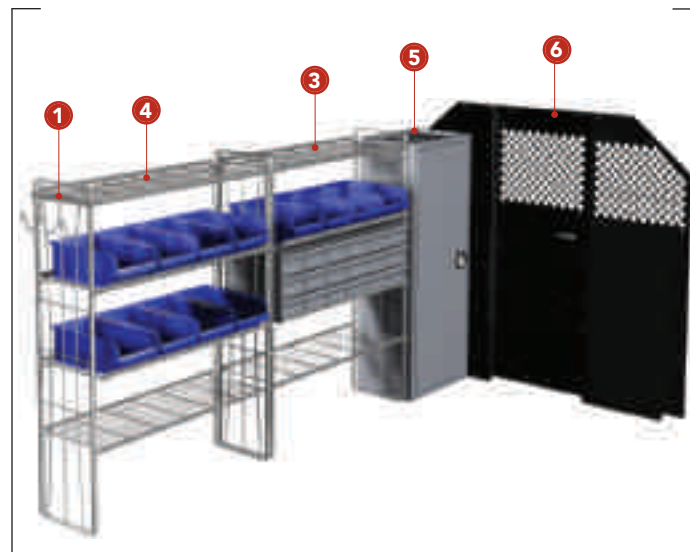
Exclusive welded wire shelving systems are extremely strong, yet lightweight. Popular configurations for every vehicle, for every need.



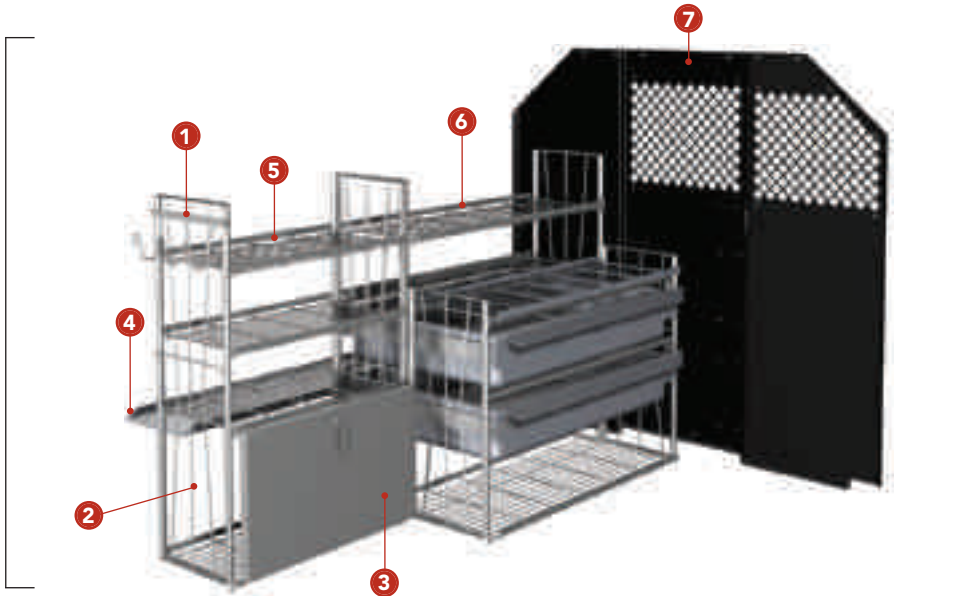
Utility Shelving Package			
➤ Full Size Vans			
PACKAGE #020098			
Item #	Description	Qty.	Page
1	020204 Triple Hook Assembly	2	40
2	021545 Wire Shelving Module 48" H x 49" W x 12" D	2	40
3	021552 Wire Shelving Module 39" H x 37" W x 12" D	1	40
4	027088 Partition w/Door SL-HM-PR	1	23
5	Note Partition Attachment Panels* Must Specify Vehicle Make	1	23



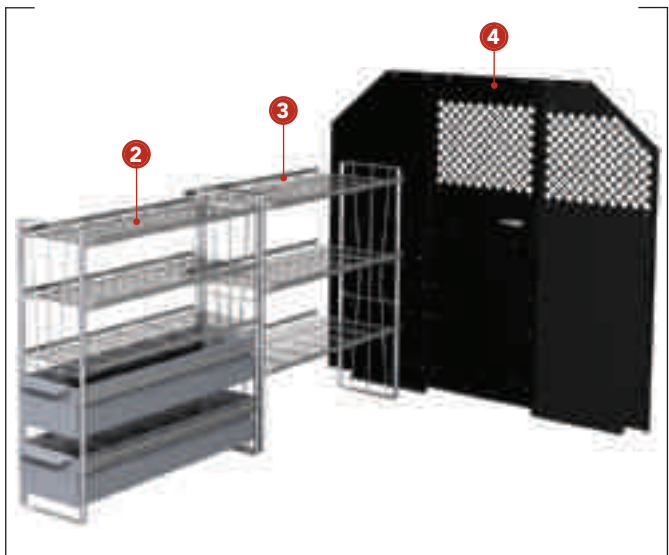
General Service Package			
➤ Full Size Vans			
PACKAGE #027599			
Item #	Description	Qty.	Page
1	020204 Triple Hook Assembly	2	40
2	021552 Wire Shelving Module 39" H x 37" W x 12" D	1	40
3	021568 Parts Drawer/Tote Bin Module 48" H x 37" W x 12" D	1	41
4	021570 Tote Bin Storage Module 48" H x 37" W x 12" D	1	41
5	025841 Storage Cabinet 46" H x 18.5" W x 12" D	1	33
6	027088 Partition w/Door SL-HM-PR	1	23
7	Note Partition Attachment Panels* Must Specify Vehicle Make	1	23



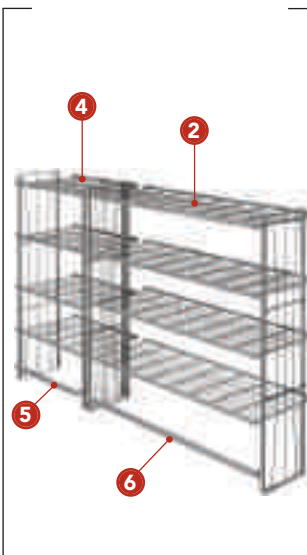
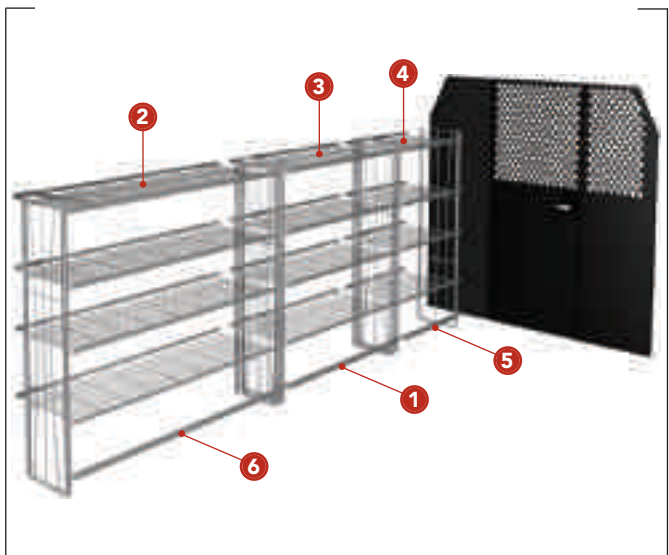
*Not Shown



Telecom/Cable Installer Package			
➤ Full Size Vans or Astro/Safari Vans			
PACKAGE #022391			
Item #	Description	Qty.	Page
1	020204 Triple Hook Assembly	1	40
2	021240 Shelf Back 39"H x 25"W	1	40
3	021741 Tool Box Door 18"H x 24"W	1	39
4	027501 Step Ladder Slide	1	35
5	027603 Wire Shelving Module 44"H x 25"W x 12"D	1	40
6	027645 Step Down Drawer Module 44"H x 37"W x 24"D	1	41
7	Note Partition SL-PM-PR Specify make and model	1	23



PHVAC Contractor Package			
➤ Full Size Vans or Astro/Safari Vans			
PACKAGE #027600			
Item #	Description	Qty.	Page
1	020096 Parts Cabinet Module 39"H x 37"W x 12"D	1	41
2	021565 Rear Pull Out Drawer Module 44"H x 37"W x 12"D	1	41
3	027608 Wire Shelf Module 44"H x 37"W x 16"D	1	40
4	Note Partition SL-PM-PR Specify make and model	1	23



General Delivery Package			
➤ Sprinter Vans or Walk-In Vans			
PACKAGE #026429			
Item #	Description	Qty.	Page
1	020718 Shelf Retainer (Pair) 37"W	1	40
2	021548 Wire Shelf Module 48"H x 49"W x 16"D	2	40
3	021549 Wire Shelf Module 48"H x 37"W x 16"D	1	40
4	021550 Wire Shelf Module 48"H x 25"W x 16"D	2	40
5	024099 Shelf Retainer (Pair) 25"W	1	40
6	024100 Shelf Retainer (Pair) 49"W	1	40

Note: Partitions not included as part of package. Refer to page 27 ordering guide.

ADJUSTABLE WIRE SHELVING MODULES

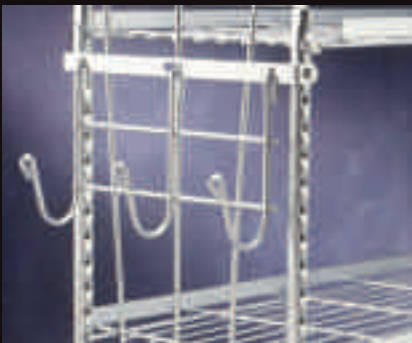


WIRE SHELVING ORDERING GUIDE

		SHELVING MODULE WIDTH		
		25" Wide	37" Wide	49" Wide
12" Deep	26" High	021559	021558	021557
	30" High	027606	027605	027604
	39" High	021553	021552	021551
	44" High	027603	027602	027601
	48" High	021547	021546	021545
16" Deep	26" High	022820	022819	022818
	30" High	027612	027611	027610
	39" High	021556	021555	021554
	44" High	027609	027608	027607
	48" High	021550	021549	021548

Masterack® welded wire shelving is stronger than steel, yet weighs less. Rust free, zinc plated shelves will not collect dirt and debris. Easily adjustable in 1" increments, two bolts are all it takes. For durability and versatility, you can't beat Masterack® welded wire shelving.

ACCESSORIES for WIRE SHELVING



Triple Hook Assembly

Triple hook assembly bolts to any wire system upright. Height adjustable, zinc plated for long life.
020204 12"W x 2" diameter hooks



Shelf Retainer

Bolts to uprights, creating taller shelf or floor storage area as required. Sold as set of two retainers.
024099 25" wide modules
020718 37" wide modules
024100 49" wide modules



Metal Shelf Backs

Full shelf backs are constructed of heavy gauge expanded metal. Shelves adjustable independent of back.
021240 39"H x 25"W shelf back
020215 36"H x 37"W shelf back
020443 44"H x 49"W shelf back

WIRE STORAGE MODULES and DRAWERS



Divided Shelf Module

Includes ten 14" high individual snap-in shelf dividers and expanded metal shelf back.

- 020094 39"H x 37"W x 12"D w/ three shelves
- 020093 48"H x 37"W x 12"D w/ four shelves



Tote Bin Storage Module

Includes shelving module with removable plastic tote bins. Bin size 5"H x 8"W x 12"D

- 021571 39"H x 25"W x 12"D w/ four bins
- 020091 39"H x 37"W x 12"D w/ eight bins
- 021570 48"H x 37"W x 12"D w/ eight bins



Parts Cabinet Module

Includes ten 5" high individual shelf dividers with back and an 18-drawer parts cabinet.

- 020096 39"H x 37"W x 12"D w/ three shelves
- 020095 48"H x 37"W x 12"D w/ four shelves



Parts Drawer / Tote Bin Module

Includes one 18-drawer parts cabinet and four removable plastic tote bins.

- 021569 39"H x 37"W x 12"D w/ three shelves
- 021568 48"H x 37"W x 12"D w/ four shelves



Rear Pull Out Drawer Module

Includes (2) rear pull out storage drawers with movable dividers.

- 021565 44"H x 37"W x 12"D w/ three shelves
- 021564 48"H x 37"W x 12"D w/ four shelves

Masterack® Heavy-Duty Drawers

Masterack® drawers are constructed with durable steel frames, full extension ball bearing drawer slides, and ABS plastic trays with a snap-in divider system.

- 020144 6"H x 37"W x 18"D
- 020149 3"H x 37"W x 18"D
- 020839 6"H x 37"W x 24"D
- 020160 3"H x 37"W x 24"D
- 021397 Drawer adapter for Steel Shelving Systems

Rear pull out drawers offer easy access without sacrificing aisle space.

- 025592 6"H x 37"W x 10"D RPO
- 025593 6"H x 49"W x 10"D RPO



Drawer Storage Module

Includes one 3" deep drawer and one 6" deep drawer. Drawers include lock-in lock-out feature, movable dividers.

- 021561 39"H x 37"W x 18"D w/ three shelves
- 021560 48"H x 37"W x 18"D w/ four shelves



Step Down Drawer Module

Includes one 3" deep drawer and one 6" deep drawer. Drawers include lock-in lock-out feature, moveable dividers.

- 022211 39"H x 37"W x 24"D tandem module
- 022210 48"H x 37"W x 24"D tandem module
- 027645 44"H x 37"W x 24"D tandem module



CARGO PROTECTION PACKAGES

Cargo Protection Packages

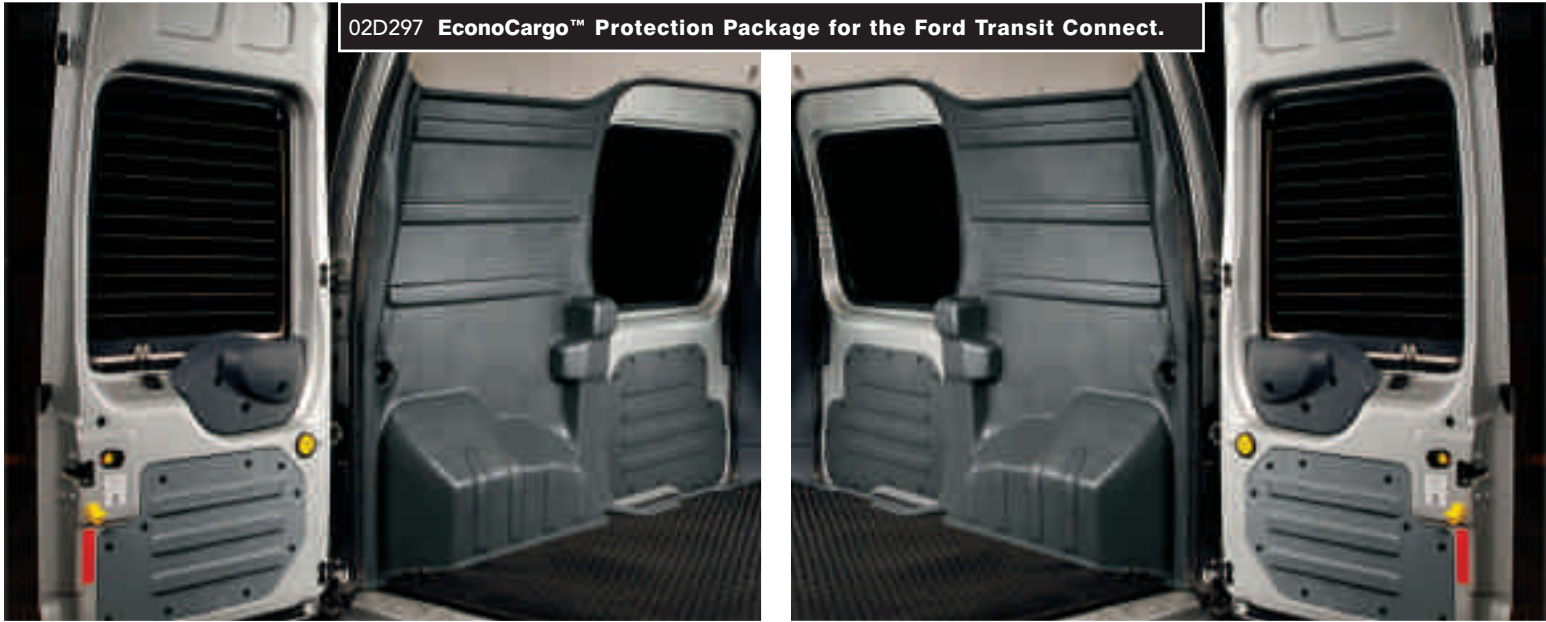
- › Masterack® Cargo Protection Packages protect your investments in your work van and your cargo, preventing dents and scratches over years of use.
- › Wall panels with protective ribs are molded to fit the van walls.
- › Full size vans include full length E-track and straps.
- › All packages include foil-backed insulation for climate control and noise reduction.
- › Shelving modules and interior packages can be used with cargo protection packages.
See page 34 for optional Floor Mat ordering guide.
- › **Partitions sold separately.**



- ^ 025831 EconoCargo™ Cargo Protection Package
- ^ 028155 GM Protecta Cargo Protection System



02D297 EconoCargo™ Protection Package for the Ford Transit Connect.



Protect valuable cargo and keep vans looking new. Fully insulated for noise and temperature control.

PROTECTION PACKAGE ORDERING GUIDE (Partition sold separately)

PROTECTION PACKAGE	FULL SIZE VANS			MID SIZE
	FORD	GM		FORD
	E-SERIES	EXPRESS	SAVANA	TRANSIT CONNECT
Protection Package including wall panels, and cargo Tie-Down Standard Length Vans	025831	028155	028155	02D297
Protection Package including wall panels, and cargo Tie-Down Extended Length Vans	025947	028156	028156	—

PROTECTION PACKAGE ACCESSORIES				
E-Track Cargo Management Package	INCL. w/Protect Pkg	INCL. w/Protect Pkg	INCL. w/Protect Pkg	02B934

COMMERCIAL UTILITY PICKUP RACKS

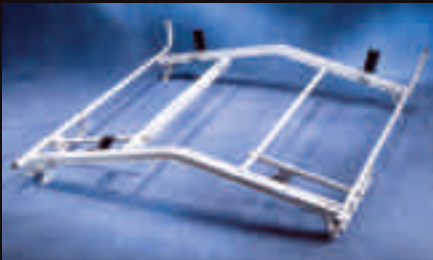
WorkRack™

Maximize your pickup bed storage with the all-new heavy duty steel WorkRack™. Featuring a Slide-Down™ ladder rack to lower your extension ladder "within arm's reach™", combined with the original Masterack® locking ladder rack for extension or step ladders. Use the step ladder add-on kit to accommodate a shorter ladder, no matter how long your truck bed.

028607 WorkRack™ for 6.5' beds

028608 WorkRack™ for 8' beds

028527 Step Ladder Add-On Kit



Double Ladder Rack

As shown includes:

020991 Crossbow for Utility Tops

020245 Ladder Rack for Extension Ladders

021226 Ladder Rack Step/Combination Ladders



Single Ladder Rack

As shown includes:

020991 Crossbow for Utility Tops

020245 Ladder Rack for Extension Ladders



Utility Ladder Rack

As shown includes:

020232 Utility Carrier for Work Tops

Add a Utility Carrier, Masterack® Ladder Rack, or Slide-Down™ Ladder Rack to any utility work top. Make sure the top manufacturer reinforces the top for a Masterack® ladder rack system. Hydraulic Assist recommended for a Slide-Down™ application on Pickup tops.



VersaRack™

- > Adjustable to fit virtually all sizes and models of pickups.
- > Aluminum construction is rugged and reliable, never rusts.
- > VersaRack™ is lightweight (55 lbs.), yet strong (800 lbs. tested capacity).
- > Channel system design accepts a wide variety of accessories.
- > Installs in many trucks without drilling using the optional PocketLok™ system.
- > Fits all pickups with 5-1/2 ft. to 8 ft. beds, 48" wide between side rails.



Patented, universally adjustable corners are made with Kevlar™ glass fibers and nylon to make the rack strong and rigid. Self-indexing system provides positive positioning and reduces assembly time. Lightweight, can be lifted by one person.



027411 VersaRack™ Full Size Pickups

VersaRack™ Accessories



PocketLok™ No-drill Mounting System

ITEM #	APPLICATION GUIDE
027407	Ford F-Series 1997 & up
027408	GM Silverado/Sierra 1999 & up
027409	Dodge Ram 2002 & up, Ford Super Duty

027420 Universal Tie-Downs (set of four)

PICKUP PACKAGES

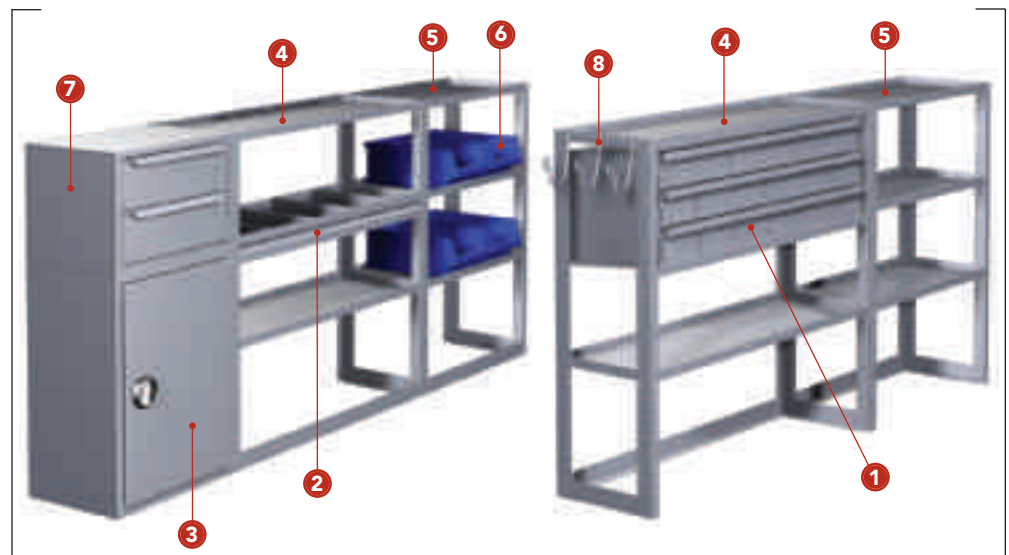
Pickup packages offer quick, easy access to tools and equipment. For use with commercial cab high plus 6" tops. Solid steel and welded wire interior systems available for pickups. Shelving fits bed sides to allow clear center aisle space. Order pre-packaged interior kits, or mix and match components to fit you own needs.

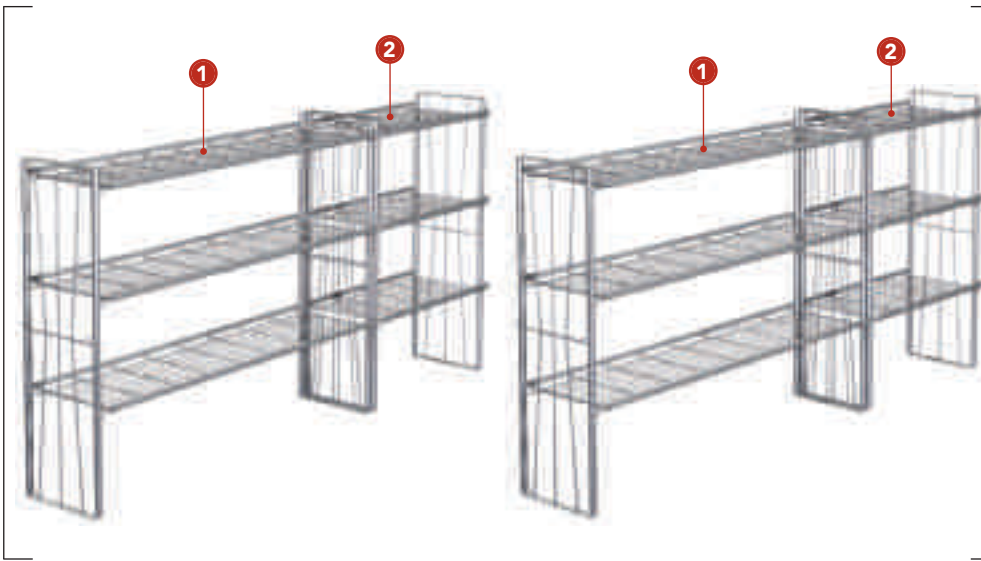


General Contractor Package			
➤ Pickups 6-8ft Bed			
PACKAGE #027646			
Item #	Description	Qty	Page
1	021417 Shelf, Open End 36"H x 37"W x 12"D	2	30
2	021419 Shelf, Open End 36"H x 25"W x 12"D	2	30
3	025527 Triple Hook Assembly	2	31
4	027259 Three Drawer Parts Drawer 12"H x 18.5"W x 12"D	4	32



Commercial Repair Package			
➤ Pickups 8ft Bed			
PACKAGE #027647			
Item #	Description	Qty	Page
1	021007 Drawer Cabinet, 18 Drawer 11"H x 34"W x 12"D	1	32
2	021389 Parts Tray 3"H x 37"W x 12"D	1	-
3	021392 Storage Cabinet 24"H x 18.5"W x 12"D	1	32
4	021417 Shelf, Open End 36"H x 37"W x 12"D	2	30
5	021419 Shelf, Open End 36"H x 25"W x 12"D	2	30
6	021471 Plastic Tote Bins 5"H x 8"W x 12"D	4	31
7	022788 Two Drawer Parts Drawer 12"H x 18.5"W x 12"D	1	32
8	025527 Triple Hook Assembly	1	31





Utility Shelving Package			
> Pickups 6.5-8ft Bed			
PACKAGE #021580			
Item #	Description	Qty.	Page
1 021551	Wire Shelf Module 39"H x 49"W x 12"D	2	40
2 021553	Wire Shelf Module 39"H x 25"W x 12"D	2	40



Telecom, Utility Construction Package			
> Pickups 6-8ft Bed			
PACKAGE #020936			
Item #	Description	Qty.	Page
1 021553	Wire Shelf Module 39"H x 25"W x 12"D	1	40
2 022211	Step Down Drawer Module 39"H x 37"W x 24"D	1	41
3 025592	Drawer, Rear Pull Out 6"H x 37"W x 10"D	1	41
4 027501	Step Ladder Slide	1	35



PICKUP INTERIOR ORDERING GUIDE

For use with commercial cab high plus 6" tops. Lift-up, or sliding side doors required for interior side access.

Fit full size and compact pickups with bed length indicated.

Installation requires removal of bed liners.

Most van accessories (pages 31-35) will fit pickup interior systems.

Cargo mat and tailgate protector are available, please specify make, model, and bed length.

Determine proper vehicle payload capacity when planning commercial pickup systems.

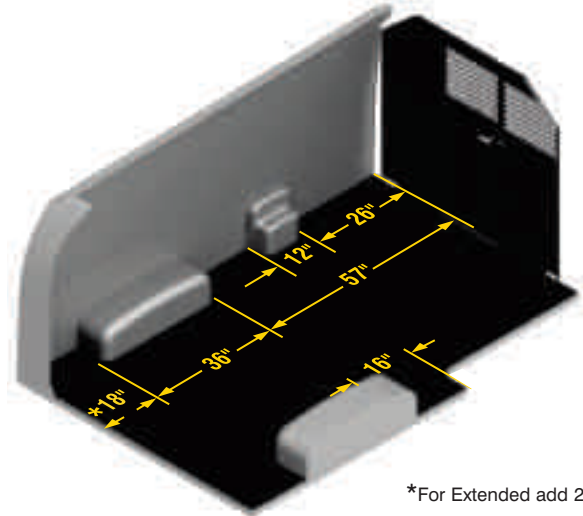
VEHICLE LAYOUT GUIDE

Maximize space and efficiently organize your work van.

- Refer to the layout guides to determine which modules will fit the space available.
- Most modules are designed to span the wheelhouses and fuel filler. Solid back modules and cabinets placed in these areas will reduce aisle space.
- Tapered modules are contoured to fit the sides of full size vans. Other vans use standard modules.
- Additional shelves, cabinets, and accessories can be added to any module or interior package to meet specific requirements.

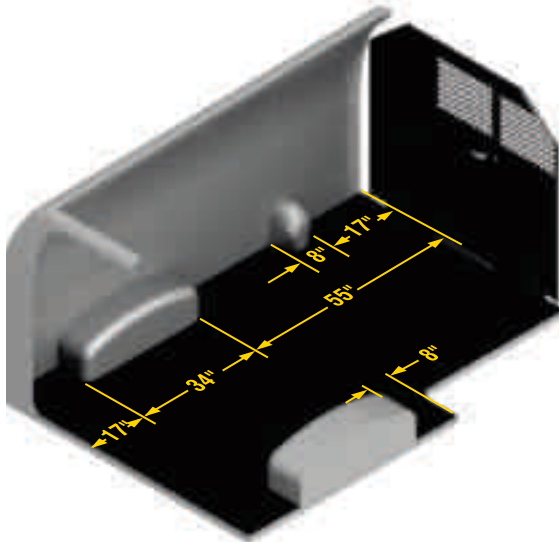
Modules up to 36" High will fit minivans
 Modules up to 48" High will fit full size vans
 Modules up to 60" High will fit Sprinter vans

Ford E-Series 138"WB

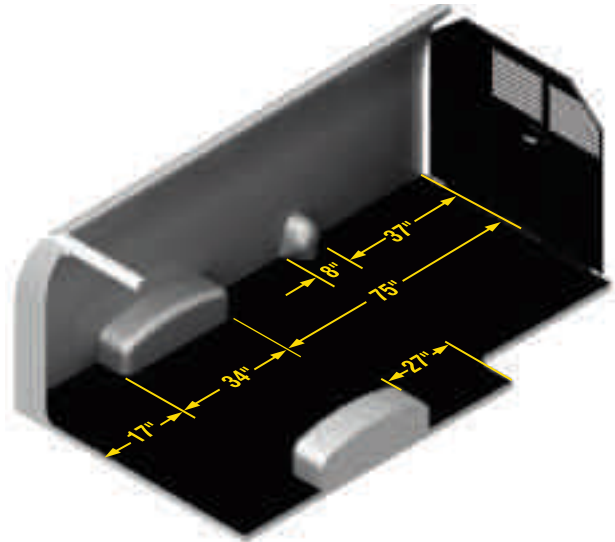


*For Extended add 20"

GM Express/Savana 135"WB

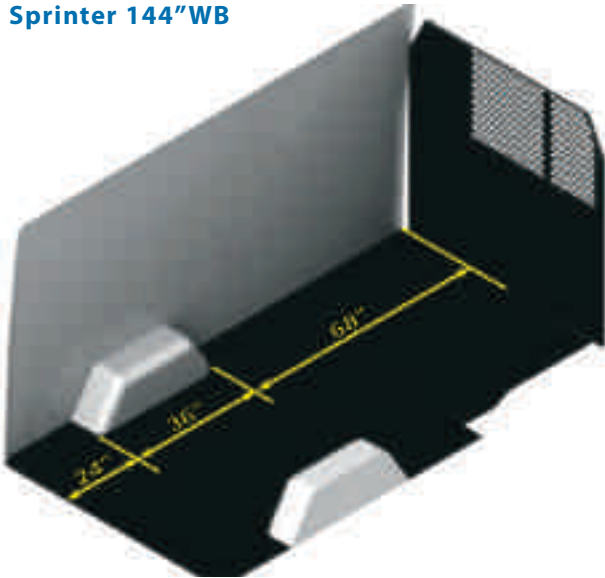


GM Express/Savana 155"WB

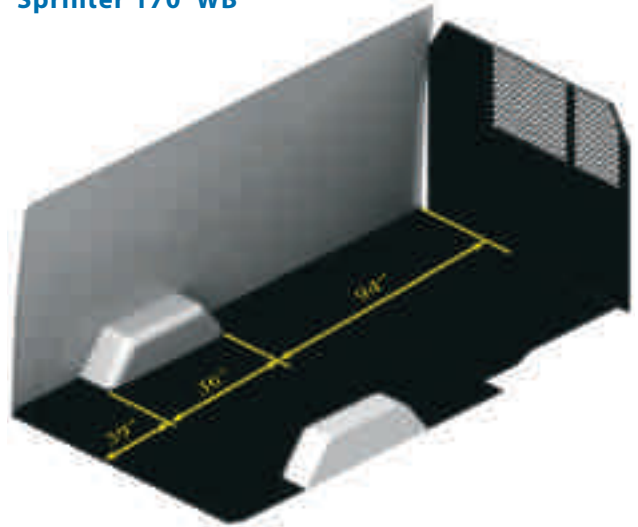


THE LEGGETT & PLATT "CVP" FAMILY OF COMPANIES CAN MEET ANY COMMERCIAL FLEET OR SPECIALIZED VEHICLE NEED.

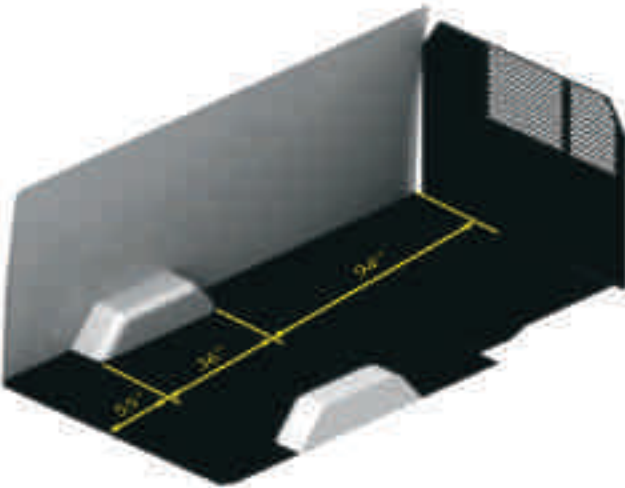
Sprinter 144"WB



Sprinter 170"WB



Sprinter 170" WB EXT



Transit Connect



Leggett & Platt CVP
PO Box 100055
Atlanta, GA 30348
800 / 334-4183



Masterack
Commercial Vehicle Equipment
PO Box 100055
Atlanta, GA 30348
800-222-8785



Crown North America
OEM Sales
7315 East Lincoln Way
Apple Creek, OH 44606
800 / 321-4934



Team Fenex
Mobile Power Equipment
610 Illinois Avenue
Sandoval, IL 62882
800 / 88-FENEX



Gamber Johnson
Mobile Computer Mounts
3001 Borham Avenue
Stevens Point, WI 54481
715 / 344-3482

INDEX

PART	PAGE	PART	PAGE	PART	PAGE	PART	PAGE	PART	PAGE					
020033	33	STEP STOOL	021412	30	SHELF O/ E	022413	5	CROSSBOW	022834	30	SHELF SOLID	025838	10	AM BST SEL
020043	32	TILT SHELF	021413	30	SHELF O/ E	022432	30	SHELF TAPR	022835	30	SHELF SOLID	025839	26	UT SHL DIV
020060	26	PRT DR TOTE	021414	30	SHELF O/ E	022433	30	SHELF TAPR	022836	30	SHELF SOLID	025840	26	PRT DR BIN
020061	27	DL STG CAB	021415	30	SHELF O/ E	022434	30	SHELF TAPR	022837	30	SHELF SOLID	025841	28	TL STG CAB
020065	27	DV SHL STG	021416	30	SHELF O/ E	022444	34	RR CARG MAT	022838	30	SHELF SOLID	025875	28	PRT DR BIN
020066	27	DV SHL STG	021417	30	SHELF O/ E	022445	5	LDR PROT KIT	022839	30	SHELF SOLID	025932	43	PROTECT PK
020069	28	DV SH PR CAB	021418	30	SHELF O/ E	022466	32	STRGE CABT	022840	30	SHELF SOLID	025947	43	PROTECT PK
020085	15	EL CTR APL	021419	30	SHELF O/ E	022482	32	TILT SHELF	022841	30	SHELF SOLID	026025	9	ADD PWR RK
020091	41	STG BIN MOD	021420	30	SHELF O/ E	022493	33	BOOK FILE	022842	30	SHELF SOLID	026026	9	CON CAR- 4"
020093	41	DV SHF MOD	021421	30	SHELF O/ E	022494	33	BOOK FILE	022856	32	UNI PRO CAB	026027	9	STRB MT BS
020094	41	DV SHF MOD	021422	30	SHELF O/ E	022528	31	SHELF DVDR	022923	35	WHL CHK AL	026058	34	FLR DRWR
020095	41	PRT CAB MOD	021423	30	SHELF O/ E	022531	32	TILT SHELF	022973	35	BLND SPT MR	026087	31	KY MCH BSE
020096	41	PRT CAB MOD	021424	30	SHELF O/ E	022532	32	TILT SHELF	023072	35	RR CRSV MR	026147	34	FLR DRWR
020098	38	WRE UT SHLV	021425	30	SHELF O/ E	022536	25	CAB ORG MN	024021	35	BCKUP ALRM	026188	32	STRGE CABT
020100	33	SAW HOLDER	021426	30	SHELF O/ E	022548	37	ADD P/O SHL	024056	32	MTL PRT DWR	026198	6	SNGL SLD DWN LR
020119	32	CMBO PRO CAB	021452	5	CON CR - 4"	022553	7	UTLY CAR	024075	34	RR CARG MAT	026199	6	SNGL SLD DWN LR
020122	24	1ST AD HLD	021453	5	CON CR- 6"	022602	24	7 PCKT LIT	024099	37	SHL RET 25	026207	33	NITRO TNK
020136	31	UP SGL HK	021471	31	STG BIN	022632	35	LIC TG BRK	024099	40	SHL RET 25W	026225	23	PART-SPTR
020137	31	UP HK 90	021481	31	WORKTOP	022658	14	TEL CBL UT	024100	40	SHL RET 49W	026226	23	PART-SPTR
020144	41	HD DWRS	021545	40	WIRE SHELF	022659	15	EL CTR APL	024145	35	RR CRSV MR	026227	23	RR PNL SPT
020149	41	HD DWRS	021546	40	WIRE SHELF	022660	13	PLBG HVAC	024223	5	STRB MT BS	026383	24	FIRE EXT
020160	41	HD DWRS	021547	40	WIRE SHELF	022661	11	CONTR MAIN	024255	37	RR P/O SHL	026421	17	CN AC SPTR
020192	33	NITRO TNK	021548	40	WIRE SHELF	022662	11	MAIN RP SV	024304	33	WRE SPL CAR	026422	17	CN AC SPTR
020193	32	CMBO PRO CAB	021549	40	WIRE SHELF	022664	17	TEL CBL UT	024316	35	WHL CHK RBR	026424	16	GN SV SPTR
020204	40	TRPL HK ASM	021550	40	WIRE SHELF	022673	32	ADD CAB SHL	024381	35	DOC POUCH	026425	16	GN SV SPTR
020215	40	SHELF BACK	021551	40	WIRE SHELF	022678	33	DR STRG TRY	024450	32	MP ACE CAB	026427	17	TL EL SPTR
020229	7	UTLY TIE DN	021552	40	WIRE SHELF	022679	33	DR STRG TRY	024514	32	STRGE CABT	026429	39	WRE GEN DEL
020232	7	UTLY CAR	021553	40	WIRE SHELF	022684	26	PRT CAB DIV	024515	32	MTL PRT DWR	026431	29	UT SH PR TRY
020245	5	LADDERACK	021554	40	WIRE SHELF	022685	26	PRT CAB DIV	025070	32	MTL PRT DWR	026432	29	DV SH PR TR
020316	31	WORKTOP	021555	40	WIRE SHELF	022686	26	CAB STCK	025085	5	STRB LGHT	026434	29	CAB DR STK
020322	25	SEAT ORG	021556	40	WIRE SHELF	022690	31	HD RBR STP	025113	35	RR CRSV MR	026435	29	UT SH PR TRY
020443	40	SHELF BACK	021557	40	WIRE SHELF	022691	26	PRT DR TOTE	025162	33	WISE MOUNT	026436	29	UT SH PR CB
020711	32	MP ACE CAB	021558	40	WIRE SHELF	022692	14	TEL CBL UT	025252	33	FREON TNK	026441	30	SHELF O/ E
020718	40	SHL RET 37	021559	40	WIRE SHELF	022700	27	PRT TRY DR	025253	33	FREON TNK	026442	29	UT SH PR TR
020796	5	LADDERACK	021560	41	DR STG MOD	022701	27	PRT TRY DR	025254	33	FREON TNK	026443	29	UT SH PR TRY
020839	41	HD DWRS	021561	41	DR STG MOD	022703	28	DV SH PR CAB	025295	33	FREON RING	026444	29	UT SH PR TR
020852	37	BLK STG BN	021564	41	RR P/O DWR	022704	27	CAB PRT DR	025296	33	FREON RING	026445	29	UT SH PR TR
020936	47	TEL 6.5-8'	021565	41	RR P/O DWR	022706	27	WRKBNH MOD	025320	26	PRT DR BIN	026446	29	UT SH TOTE
020940	5	LDR EX	021568	41	PRT DW BIN	022707	27	WRKBNH MOD	025321	26	PRT DR CAB	026447	29	UT SH TOTE
020982	24	FIRE EXT	021569	41	PRT DW BIN	022770	34	RR CARG MAT	025327	34	FLR DRWR	026448	29	UT SH TOTE
021000	32	MTL PRT CAB	021570	41	STG BIN MOD	022787	32	MTL PRT DWR	025344	34	FLR DRWR	026449	29	UT SH TOTE
021007	32	MTL PRT CAB	021571	41	STG BIN MOD	022788	32	MTL PRT DWR	025398	35	SAFTY CONE	026450	26	PRT DR TOTE
021021	32	MTL PRT CAB	021580	47	UT SH 6.5-8'	022817	30	SHELF TAPR	025424	7	STRB MT BS	026451	28	STG CB PR CB
021044	41	HD DWRS	021741	39	TOOL DOOR	022818	40	WIRE SHELF	025520	27	CAB PRT DR	026452	29	UT SH BK PNL
021056	32	MTL PRT CAB	021742	25	CAB ORG FS	022819	40	WIRE SHELF	025522	33	MANUAL RACK	026741	24	SNG TNK HL
021057	32	MTL PRT CAB	021782	24	1ST AID KT	022820	40	WIRE SHELF	025527	31	TRPL HK BR	026756	34	RR CARG MAT
021058	32	MTL PRT CAB	022181	24	TRI REFLCT	022821	30	SHELF SOLID	025536	24	HD IMP PD	026757	34	RR CARG MAT
021226	5	LDRK STP	022204	35	FLURSNT LGT	022822	30	SHELF SOLID	025544	33	FREON RACK	026801	27	PRT TRY MD
021240	40	SHELF BACK	022210	41	STP DWN DW	022823	30	SHELF SOLID	025545	33	FREON RACK	026802	26	UT SHL DIV
021392	32	STRGE CABT	022211	41	STP DWN DW	022824	30	SHELF SOLID	025547	35	BPR MT CNE	026803	26	UT SHL DIV
021395	31	SHELF DVDR	022250	35	GAL STG TRY	022825	30	SHELF SOLID	025591	30	SHELF TAPR	026804	26	PRT CAB UT
021396	31	SHELF DVDR	022262	27	PRT TRY MD	022826	30	SHELF SOLID	025592	41	RR P/O DWR	026805	26	PRT CAB UT
021397	41	DRW ADPTR	022263	27	PRT TRY MD	022827	30	SHELF SOLID	025593	41	RR P/O DWR	026806	13	PLBG HVAC
021398	30	SHELF O/ E	022264	27	PRT TRY MD	022828	30	SHELF SOLID	025633	5	TIE DWN KIT	026807	15	EL CTR
021399	28	DR STG MOD	022265	27	PRT TRY MD	022829	30	SHELF SOLID	025647	35	RR SEN ALRM	026816	9	SNG PWR RK
021400	28	DR STG MOD	022340	32	TILT SHELF	022830	30	SHELF SOLID	025783	26	UT SHL DIV	026817	9	DBL PWR RK
021403	27	DL STG CAB	022359	5	STRB LT WR	022831	30	SHELF SOLID	025785	26	PRT DR BIN	026818	9	SNG PWR RK
021410	30	SHELF O/ E	022359	9	STRB LT WR	022832	30	SHELF SOLID	025803	34	RR CARG MAT	026819	9	DBL PWR RK
021411	30	SHELF O/ E	022391	39	WRE TEL/CBL	022833	30	SHELF SOLID	025831	43	PROTECT PK	026928	9	SNG PWR RK

PART	PAGE	PART	PAGE	PART	PAGE	PART	PAGE	
026943	9	SNG PWR RK	027477	29	UT SH PR TRY	027551	30	SHELF O/ E
027051	35	STP LDR SLD	027479	31	WORKTOP	027552	31	SHELF LINR
027083	23	PART - F/S	027480	31	WORKTOP	027553	31	ELSTC STRP
027084	23	PART - F/S	027484	31	SHELF BACK	027554	31	ELSTC STRP
027085	23	PART - F/S	027485	31	SHELF BACK	027555	32	ADD CAB SHL
027086	23	PART - F/S	027486	31	SHELF BACK	027556	30	SHELF O/ E
027087	23	PART - F/S	027487	31	SHELF BACK	027557	30	SHELF O/ E
027088	23	PART - F/S	027492	7	UTLY CAR	027558	30	SHELF O/ E
027089	23	PART - F/S	027493	9	DBL PWR RK	027559	30	SHELF SOLID
027116	23	PART ATTCH	027494	9	DBL PWR RK	027560	30	SHELF SOLID
027176	31	SHELF BACK	027495	31	TL BX DOOR	027561	30	SHELF SOLID
027221	23	PART WLK	027496	31	TL BX DOOR	027562	30	SHELF SOLID
027222	23	PART WLK	027497	31	TL BX DOOR	027563	30	SHELF SOLID
027223	23	PART WLK	027498	31	TL BX DOOR	027564	30	SHELF SOLID
027250	23	PART ATTCH	027499	31	TL BX DOOR	027565	30	SHELF SOLID
027259	32	MTL PRT DWR	027500	31	TL BX DOOR	027566	30	SHELF SOLID
027260F	11	RACK&BIN	027501	35	STEP LDR SLIDE	027567	30	SHELF SOLID
027261	12	COMM SVC	027502	31	SML J HOOK	027568	30	SHELF SOLID
027278	27	UT SH PT DR	027503	31	LRG J HOOK	027569	30	SHELF SOLID
027282	33	CBL RL HLDR	027504	24	HRD HAT HL	027570	30	SHELF SOLID
027330	35	PWR INVRTR	027510	28	DR STG MOD	027571	30	SHELF SOLID
027331	35	PWR INVRTR	027511	24	ORD BK HLD	027572	30	SHELF SOLID
027332	35	PWR INVRTR	027512	24	REFLCT HLD	027573	30	SHELF SOLID
027333	35	PWR INVRTR	027514	30	SHELF O/ E	027574	30	SHELF SOLID
027343	24	PLY CVR PN	027515	30	SHELF O/ E	027575	36	BSC SHLF
027345	24	PLY CVR PN	027516	30	SHELF O/ E	027576	36	GEN CONTR
027346	24	PLY CVR PN	027517	30	SHELF O/ E	027577	37	PLBG HVAC
027360	12	BSC SHLF	027518	30	SHELF O/ E	027578	37	UTLY CONS
027374	27	PRT TRY MD	027519	37	SHL RET 43	027579	37	SHL RET 51
027407	45	POCKETLOK	027520	30	SHELF O/ E	027581	23	PART-FREES
027408	45	POCKETLOK	027521	30	SHELF O/ E	027584	23	PART-UPLAND
027409	45	POCKETLOK	027522	30	SHELF O/ E	027586	32	ADD CAB SHL
027411	45	VERSARACK	027523	30	SHELF O/ E	027588	33	FREON TNK
027420	45	TIE-DOWN	027524	30	SHELF SOLID	027589	34	WNDW SCRNR
027446	26	PRT DR BIN	027525	30	SHELF O/ E	027590	34	WNDW SCRNR
027447	26	PRT DR CAB	027526	30	SHELF O/ E	027591	34	WNDW SCRNR
027448	27	CAB DR STK	027527	30	SHELF O/ E	027592	34	WNDW SCRNR
027449	27	UT SH PT DR	027528	30	SHELF O/ E	027593	34	WNDW SCRNR
027450	27	UT SH PT DR	027529	30	SHELF O/ E	027594	34	WNDW SCRNR
027451	27	PRT TRY MD	027530	30	SHELF O/ E	027597	34	WNDW SCRNR
027452	27	PRT TRY MD	027531	30	SHELF SOLID	027598	34	WNDW SCRNR
027453	27	PRT TRY MD	027532	30	SHELF O/ E	027599	38	WR GEN SVC
027459	28	STG CB PR CB	027533	30	SHELF O/ E	027600	39	WRE PHVAC
027460	29	DV SH PR TR	027534	30	SHELF O/ E	027601	40	WIRE SHELF
027461	29	UT SH PR TRY	027535	30	SHELF O/ E	027602	40	WIRE SHELF
027462	29	UT SH PR TRY	027536	30	SHELF O/ E	027603	40	WIRE SHELF
027463	29	UT SH BK PNL	027537	30	SHELF O/ E	027604	40	WIRE SHELF
027464	29	UT SH BK PNL	027538	30	SHELF TAPR	027605	40	WIRE SHELF
027465	29	UT SH TOTE	027539	30	SHELF O/ E	027606	40	WIRE SHELF
027466	29	UT SH TOTE	027540	30	SHELF O/ E	027607	40	WIRE SHELF
027467	29	UT SH PR DR	027541	30	SHELF O/ E	027608	40	WIRE SHELF
027468	29	UT SH PR DR	027542	30	SHELF O/ E	027609	40	WIRE SHELF
027469	29	UT SH PR CB	027543	30	SHELF O/ E	027610	40	WIRE SHELF
027470	29	UT SH PR TRY	027544	30	SHELF O/ E	027611	40	WIRE SHELF
027471	29	UT SH PR TRY	027545	30	SHELF TAPR	027612	40	WIRE SHELF
027472	29	UT SH PR TRY	027546	30	SHELF TAPR	027641	23	PART-SPTR
027473	29	UT SH PR TR	027548	31	SHELF LINR	027645	41	STP DWN DW
027474	29	UT SH PR TR	027549	30	SHELF O/ E	027646	46	GN CTR 6-8'
027475	29	UT SH PR TR	027550	30	SHELF O/ E	027647	46	COM RPR 8'
027648	33	TOUCH PAINT				027648	33	TOUCH PAINT
027649	33	TOUCH PAINT				027649	33	TOUCH PAINT
027650	33	TOUCH PAINT				027650	33	TOUCH PAINT
027651	33	UN ATT BRC				027651	33	UN ATT BRC
027652	33	HD T-BRKT				027652	33	HD T-BRKT
027751	10	GEN CONTR				027751	10	GEN CONTR
027875	18	QF SVC PKG				027875	18	QF SVC PKG
027876	19	QF TAPER				027876	19	QF TAPER
027877	19	QF STORE				027877	19	QF STORE
027965	6	DBL SLD DWN LR				027965	6	DBL SLD DWN LR
027966	6	DBL SLD DWN LR				027966	6	DBL SLD DWN LR
028155	43	PROTECT PK				028155	43	PROTECT PK
028156	43	PROTECT PK				028156	43	PROTECT PK
028300	34	WNDW SCRNR				028300	34	WNDW SCRNR
028520	23	PART-CARVN				028520	23	PART-CARVN
028527	44	WR ADD-ON				028527	44	WR ADD-ON
028583	23	PART GM				028583	23	PART GM
028584	20	CSS KIT				028584	20	CSS KIT
028588	20	CSS PKG				028588	20	CSS PKG
028607	44	WORKRACK				028607	44	WORKRACK
028608	44	WORKRACK				028608	44	WORKRACK
028609	23	PART FORD				028609	23	PART FORD
028656	21	CSS STOR DOOR				028656	21	CSS STOR DOOR
028657	21	CSS DIVIDER				028657	21	CSS DIVIDER
028663	21	CSS SPOOL				028663	21	CSS SPOOL
028666	21	CSS FREON				028666	21	CSS FREON
028680	18	QF II PKG				028680	18	QF II PKG
028681	19	QF BASIC				028681	19	QF BASIC
028682	19	QF MINIVAN				028682	19	QF MINIVAN
028683	19	QF CUBBY				028683	19	QF CUBBY
028686	19	QF MOD MINI				028686	19	QF MOD MINI
028689	21	CSS CUBBY				028689	21	CSS CUBBY
028700	19	QF SHELV				028700	19	QF SHELV
028705	21	CSS MINI				028705	21	CSS MINI
028706	21	CSS MININT				028706	21	CSS MININT
028744	19	QF DIVIDER				028744	19	QF DIVIDER
028756	19	QF STOR DOOR				028756	19	QF STOR DOOR
029755	21	CSS DRWR SLIDE				029755	21	CSS DRWR SLIDE
029756	21	CSS TALL CUBBY				029756	21	CSS TALL CUBBY
029758	19	QF DRAWERS				029758	19	QF DRAWERS
029759	19	QF DRAWERS				029759	19	QF DRAWERS
029780	20	CSS EXT VAN				029780	20	CSS EXT VAN
02A366	23	PART-SPTR				02A366	23	PART-SPTR
02A367	23	PART-SPTR				02A367	23	PART-SPTR
02A368	23	PART-SPTR				02A368	23	PART-SPTR
02A375	23	PART-SPTR				02A375	23	PART-SPTR
02A393	09	SNG PWR RK				02A393	09	SNG PWR RK
02A394	09	DBL PWR RK				02A394	09	DBL PWR RK
02A428	34	MST-SPTR				02A428	34	MST-SPTR
02A807	23	PART- CRVN				02A807	23	PART- CRVN
02B934	43	E-TRACK				02B934	43	E-TRACK
02C098	34	RR CARG MAT				02C098	34	RR CARG MAT
02D297	43	PROTECT PK				02D297	43	PROTECT PK



A division of

Leggett & Platt
Commercial Vehicle Products

905 Memorial Dr. S.E. Atlanta, GA 30316

P.O. BOX 100055 Atlanta, GA 30348

800.222.8785 / 404.525.5501

FAX 404.659.9316

Leggett & Platt CVP® is an ISO 9001:2008 Registered Company

©2006, 2010 Leggett & Platt CVP®. Product Specifications and availability subject to change without notice. 7/10